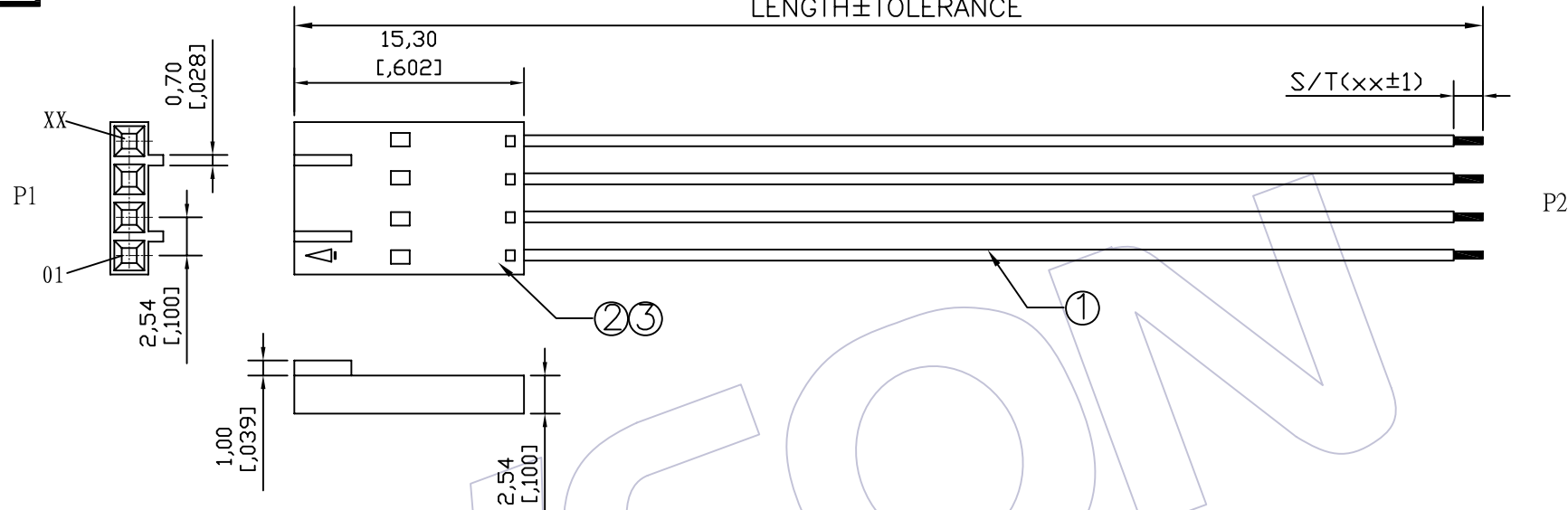


HSF



SPECIFICATIONS

Insulation Resistance: 5MΩ Min
 Contact Resistance: 3.0Ω Max
 Withstand Voltage: DC 300V, 10S
 The Cable Assembly Must 100% Test

Ordering Information

C9140 - xx 01 xxx 102

No. of Pins: 02~20P
 Shape Style: 01=one end Process, another one end plate tin
 Length of Line

CONNECT METHOD

P1	Color	P2
01	XXX	OPEN
02	XXX	OPEN
03	XXX	OPEN
⋮	⋮	⋮
XX	XXX	OPEN

Wire SPEC	LENGTH	TOLERANCE
ULxxxx 22~28AWG	1~499	±5
	500~999	±10
	1000~1500	±15
	1501~3000	±20
	3001~5000	±30
	5001~	± Lx1%

NO.	PART NO.	NAME	Specification	Q'TY	UNIT
③	WF2542-TPSN01	Terminal	PH2.54mm Phosphor Bronze/Brass Tin Terminal	xx	PCS
②	WF2542-HxxB02	Housing	PH2.54mm xxP Black Housing	1	PCS
①	Wxxxx-1xxx00001	WIRE	UL: xxxx, AWG: 22~28, Color: xx, Wire	xxxx	MM

REV	DATE	MODIFICATION DESCRIPTION	CHANGE	APPROVE	SCALE	FREE	UNIT	SIZE	SHEET	PROJ.	客户料号Customer NO.
AO	09/09/29	NEW					mm	A4	1/1		
版次	日期	变更说明	变更	核准	工程图	绘图					
REV	DATE	MODIFICATION DESCRIPTION	CHANGE	APPROVE	ENGINEERING	DRAW					

WCON 维峰五金电子有限公司
 WAFE HARDWARE ELECTRONICS CO. LTD

料号 PART NO. C9140-xx01xxx102
 品名 TITLE: PH2.54 **P Housing TO OPEN