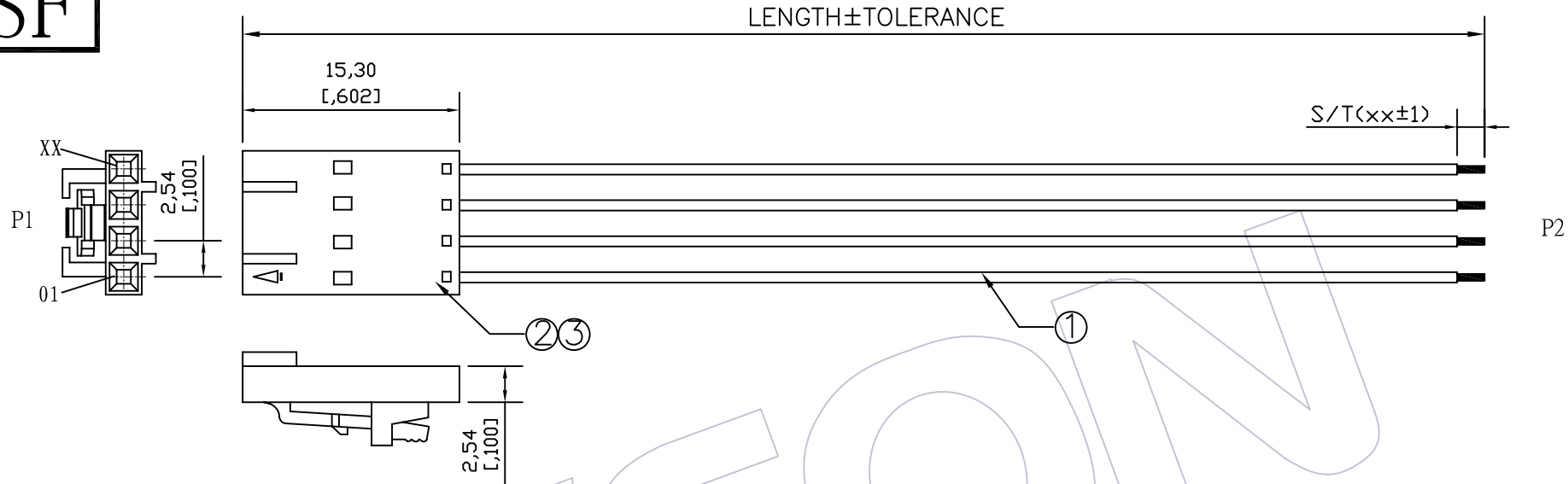


HSF



SPECIFICATIONS

Insulation Resistance: $5M\Omega$ Min
 Contact Resistance: 3.0Ω Max
 Withstand Voltage: DC 300V, 10S
 The Cable Assembly Must 100% Test

CONNECT METHOD

P1	Color	P2
01	XXX	OPEN
02	XXX	OPEN
03	XXX	OPEN
XX	XXX	OPEN

Wire SPEC	LENGTH	TOLERANCE
ULxxxx 22~28AWG	1~499	±5
	500~999	±10
	1000~1500	±15
	1501~3000	±20
	3001~5000	±30
	5001~	± Lx1%

Ordering Information

C9140 - xx 01 xxx 101

No. of Pins: 02~20P
 Shape Style: 01=one end Process, another one end plate tin
 Length of Line

NO.	PART NO.	NAME	Specification	Q' TY	UNIT
③	WF2542-TPSN01	Terminal	PH2.54mm Phosphor Bronze/Brass Tin Terminal	xx	PCS
②	WF2542-HxxB01	Housing	PH2.54mm xxP Black Housing	1	PCS
①	Wxxxx-1xxx00001	WIRE	UL:xxxx,AWG:22~28,Color:xx,Wire	xxxx	MM

版次 REV	日期 DATE	变更说明 MODIFICATION DESCRIPTION	变更 CHANGE	核准 APPROVE	工程图 ENGINEERING	绘图 DRAW	BEN	09/09/29	SCALE	FREE	WCON 维峰五金电子有限公司 WAFE HARDWARE ELECTRONICS CO. LTD	
					X.X	±0.30			UNIT	mm	料号 PART NO. C9140-xx01xxx101	
					X.XX	±0.20			SIZE	A4	品名 TITLE: PH2.54 **P Housing TO OPEN	
A0	09/09/29	NEW			X.XXX	±0.10			SHEET	1/1	客户料号 Customer NO.	
					Angle	± 2'			PROJ.			
					DIM	TOL						