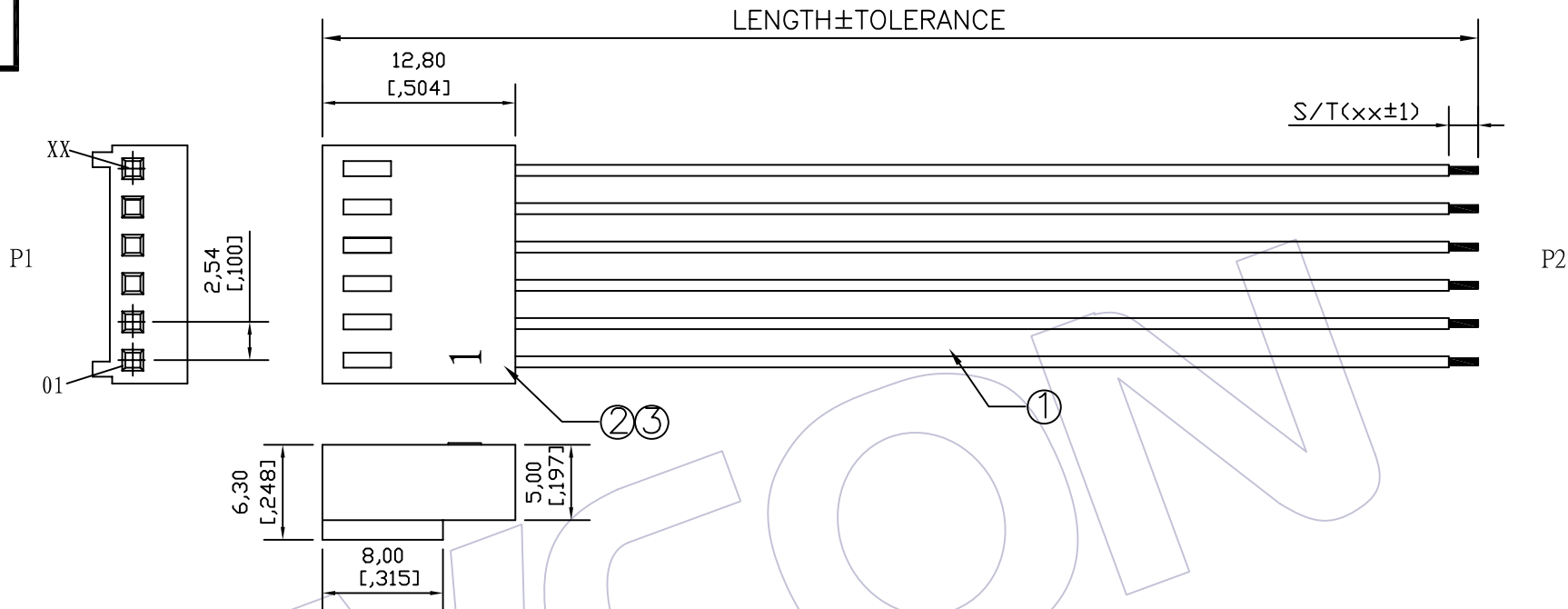


HSF



SPECIFICATIONS

Insulation Resistance: 5MΩ Min
 Contact Resistance: 3.0Ω Max
 Withstand Voltage: DC 300V, 10S
 The Cable Assembly Must 100% Test

CONNECT METHOD

P1	Color	P2
01	XXX	OPEN
02	XXX	OPEN
03	XXX	OPEN
XX	XXX	OPEN

Wire SPEC	LENGTH	TOLERANCE
ULxxxx 22~28AWG	1~499	±5
	500~999	±10
	1000~1500	±15
	1501~3000	±20
	3001~5000	±30
	5001~	± Lx1%

Ordering Information

C9140 - xx 01 xxx 001

No. of Pins: 02~20P
 Shape Style: 01=one end Process, another one end plate tin
 Length of Line

NO.	PART NO.	NAME	Specification	Q' TY	UNIT
③	WF2541-TPSN01	Terminal	Molex 2.54mm Phosphor Bronze/Brass Tin Terminal	XX	PCS
②	WF2541-Hxxx01	Housing	Molex 2.54mm xxP Color: xxx Housing	1	PCS
①	Wxxxx-1xxx00001	WIRE	UL: xxxx, AWG: 22~28, Color: xx, Wire	xxxx	MM

REV	DATE	MODIFICATION DESCRIPTION	CHANGE	APPROVE	ENGINEERING	DRAW	NAME	DATE	SCALE	FREE	UNIT	SIZE	SHEET	PROJ.	WAVE HARDWARE ELECTRONICS CO. LTD
A0	09/09/29	NEW			X.X	±0.30	BEN	09/09/29			mm	A4	1/1		料号 PART NO. C9140-xx01xxx001
					X.XX	±0.20									品名 TITLE: PH2.54 **P Housing TO OPEN
					X.XXX	±0.10									客户料号Customer NO.
					Angle	± 2'									
					DIM	TOL									

WCON 维峰五金电子有限公司
 WAVE HARDWARE ELECTRONICS CO. LTD

料号 PART NO. C9140-xx01xxx001
 品名 TITLE: PH2.54 **P Housing TO OPEN

客户料号Customer NO.