

# HSF

A

B

C

D

E

F

G

H

A

B

C

D

E

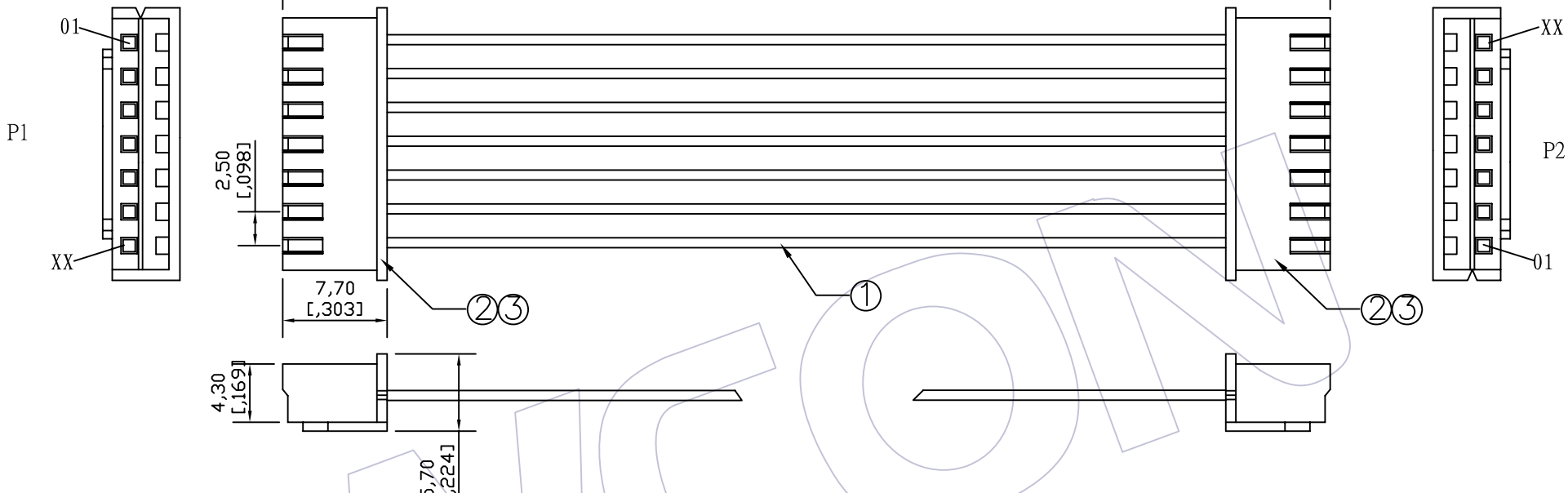
F

G

H

1 2 3 4 5 6 7 8 9 10

LENGTH±TOLERANCE



## SPECIFICATIONS

Insulation Resistance: 5MΩ Min  
 Contact Resistance: 3.0Ω Max  
 Withstand Voltage: DC 300V, 10S  
 The Cable Assembly Must 100% Test

## CONNECT METHOD

P1	Color	P2
01	XXX	XX
02	XXX	XX
03	XXX	XX
	⋮	
XX	XXX	01

Wire SPEC	LENGTH	TOLERANCE
ULxxxx 22~28AWG	1~499	±5
	500~999	±10
	1000~1500	±15
	1501~3000	±20
	3001~5000	±30
	5001~	± Lx1%

## Ordering Information

C9130 - xx 02 xxx 001

No. of Pins: 02~15P      Shape Style: 02=Both ends Process      Length of Line

③	WF2501-TPSN01	Terminal	PH2.50mm Phosphor Bronze Tin Terminal	Double xx	PCS
②	WF2501-HxxW01	Housing	PH2.50mm xxP White Housing	2	PCS
①	Wxxxx-1xxx00001	WIRE	UL: xxxx, AWG: 22~28, Color: xx, Wire	xxxx	MM
NO.	PART NO.	NAME	Specification	Q' TY	UNIT

工程图 ENGINEERING	绘图 DRAW	BEN	09/09/26	SCALE	FREE	<b>维峰五金电子有限公司</b> WAFE HARDWARE ELECTRONICS CO. LTD
X.X	±0.30	设计 DESIGN		UNIT	mm	
X.XX	±0.20	审核 CHECK		SIZE	A4	
X.XXX	±0.10	核准 APPROVE		SHEET	1/1	
Angle	± 2'	核准 APPROVE		PROJ.	客户料号Customer NO.	
DIM	TOL					料号 PART NO.      C9130-xx02xxx001
						品名 TITLE:      PH2.50 **P HSG/PH2.50 **P HSG

版次 REV	日期 DATE	变更说明 MODIFICATION DESCRIPTION	变更 CHANGE	核准 APPROVE
A0	09/09/26	NEW		

1 2 3 4 5 6 7 8 9 10