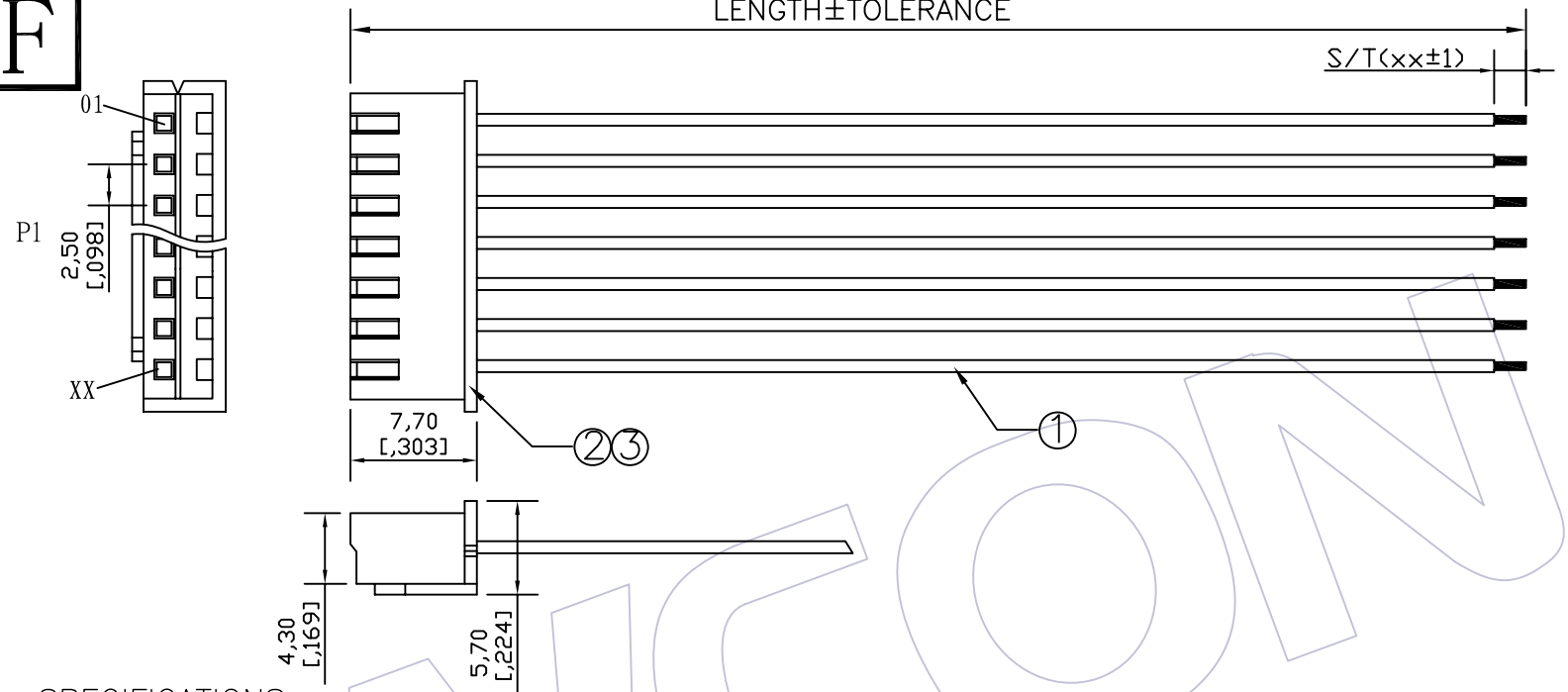


# HSF



**SPECIFICATIONS**  
 Insulation Resistance: 5MΩ Min  
 Contact Resistance: 3.0Ω Max  
 Withstand Voltage: DC 300V, 10S  
 The Cable Assembly Must 100% Test

**CONNECT METHOD**

	Color	
P1		P2
01	XXX	OPEN
02	XXX	OPEN
03	XXX	OPEN
	XXX	
XX	XXX	OPEN

Wire SPEC	LENGTH	TOLERANCE
ULxxxx 22~28AWG	1~499	±5
	500~999	±10
	1000~1500	±15
	1501~3000	±20
	3001~5000	±30
	5001~	± Lx1%

**Ordering Information**  
**C9130 - XX 01 xxx 001**  
 No. of Pins: 02~15P  
 Shape Style: 01=one end Process, another one end plate tin  
 Length of Line

NO.	PART NO.	NAME	Specification	Q' TY	UNIT
③	WF2501-TPSN01	Terminal	JST XH 2.50mm Phosphor Bronze Tin Terminal	xx	PCS
②	WF2501-HxxW01	Housing	JST XH 2.50mm xxP White Housing	1	PCS
①	Wxxxx-1xxx00001	WIRE	UL: xxxx, AWG: 22~28, Color: xx, Wire	xxxx	MM

AO		09/09/24	NEW			工程图 ENGINEERING	绘图 DRAW	BEN	09/09/24	SCALE	FREE	<b>WCON</b> 维峰五金电子有限公司 WAVE HARDWARE ELECTRONICS CO. LTD	
版次 REV	日期 DATE	变更说明 MODIFICATION DESCRIPTION		变更 CHANGE	核准 APPROVE	X.X ±0.30	设计 DESIGN			UNIT	mm		
						X.XX ±0.20	审核 CHECK			SIZE	A4	品名 TITLE:	PH2.50 **P Housing TO OPEN
						X.XXX ±0.10	核准 APPROVE			SHEET	1/1	客户料号Customer NO.	
						Angle ± 2'				PROJ.	↗		
						DIM TOL							