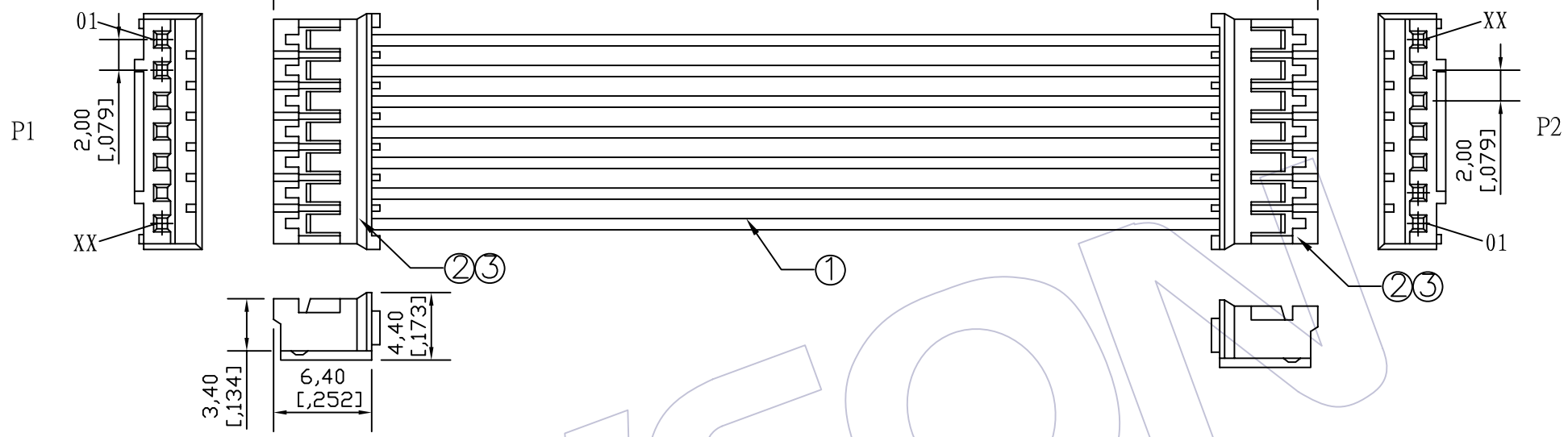


HSF

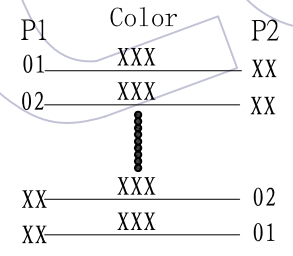
LENGTH±TOLERANCE



SPECIFICATIONS

Insulation Resistance: 5MΩ Min
 Contact Resistance: 3.0Ω Max
 Withstand Voltage: DC 300V, 10S
 The Cable Assembly Must 100% Test

CONNECT METHOD



Wire SPEC	LENGTH	TOLERANCE
ULxxxx 24~30AWG	1~499	±5
	500~999	±10
	1000~1500	±15
	1501~3000	±20
	3001~5000	±30
	5001~	± Lx1%

Ordering Information

C9120 - xx 02 xxx 001

No. of Pins: 02~30P Shape Style: 02=Both ends Process Length of Line: xxx

NO.	PART NO.	NAME	Specification	Q' TY	UNIT
③	WF2001-TPSN01	Terminal	JST PH2.00mm Phosphor Bronze Tin Terminal	Double xx	PCS
②	WF2001-HxxW01	Housing	JST PH2.00mm xxP White Housing	2	PCS
①	Wxxxx-1xxx00001	WIRE	UL: xxxx, AWG: 24~30, Color: xx, Wire	xxxx	MM

A0		09/09/24	NEW			工程图 ENGINEERING	绘图 DRAW	BEN	09/09/24	SCALE	FREE	 维峰五金电子有限公司 WAFE HARDWARE ELECTRONICS CO. LTD		
版次 REV	日期 DATE	变更说明 MODIFICATION DESCRIPTION		变更 CHANGE	核准 APPROVE	X.X	±0.30			UNIT	mm			
						X.XX	±0.20			SIZE	A4		料号 PART NO.	C9120-xx02xxx001
						X.XXX	±0.10			SHEET	1/1		品名 TITLE:	PH2.00 **P HSG TO PH2.00 **P HSG
						Angle	± 2'			PROJ.	客户料号 Customer NO.			