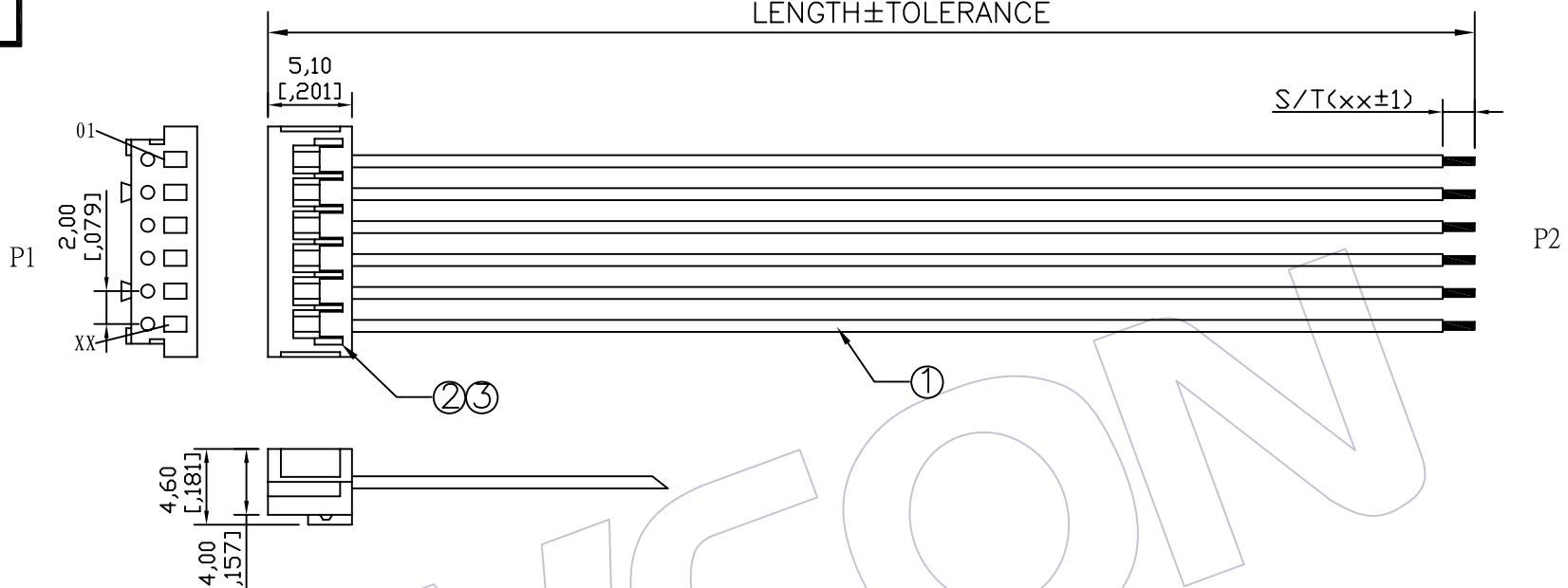


HSF



SPECIFICATIONS
 Insulation Resistance: 5MΩ Min
 Contact Resistance: 3.0Ω Max
 Withstand Voltage: DC 300V, 10S
 The Cable Assembly Must 100% Test

CONNECT METHOD

P1	Color	P2
01	XXX	OPEN
02	XXX	OPEN
03	XXX	OPEN
XX	XXX	OPEN

Wire SPEC	LENGTH	TOLERANCE
ULxxxx 22~28AWG	1~499	±5
	500~999	±10
	1000~1500	±15
	1501~3000	±20
	3001~5000	±30
	5001~	± Lx1%

Ordering Information

C9120 - xx 01 xxx 501

No. of Pins: 02~15P
 Shape Style: 01=one end Process, another one end plate tin
 Length of Line

③	WF2006-TPSN01	Terminal	PH2.00mm Phosphor Bronze Tin Terminal	xx	PCS
②	WF2006-HxxW01	Housing	AMP PH2.00mm xxP White Housing	1	PCS
①	Wxxxx-1xxx00001	WIRE	UL: xxxx, AWG: 22~28, Color: xx, Wire	xxxx	MM
NO.	PART NO.	NAME	Specification	Q'TY	UNIT

						工程图 ENGINEERING	绘图 DRAW	BEN	09/09/24	SCALE	FREE	WCON 维峰五金电子有限公司 WAFE HARDWARE ELECTRONICS CO. LTD 料号 PART NO. C9120-xx01xxx501 品名 TITLE: PH2.00 **P Housing TO OPEN 客户料号 Customer NO.
						X.X	±0.30			UNIT	mm	
						X.XX	±0.20			SIZE	A4	
						X.XXX	±0.10			SHEET	1/1	
AO	09/09/24	NEW				Angle	± 2'			PROJ.	客户料号 Customer NO.	
版次 REV	日期 DATE	变更说明 MODIFICATION DESCRIPTION	变更 CHANGE	核准 APPROVE	核准 APPROVE	DIM	TOL	核准 APPROVE				