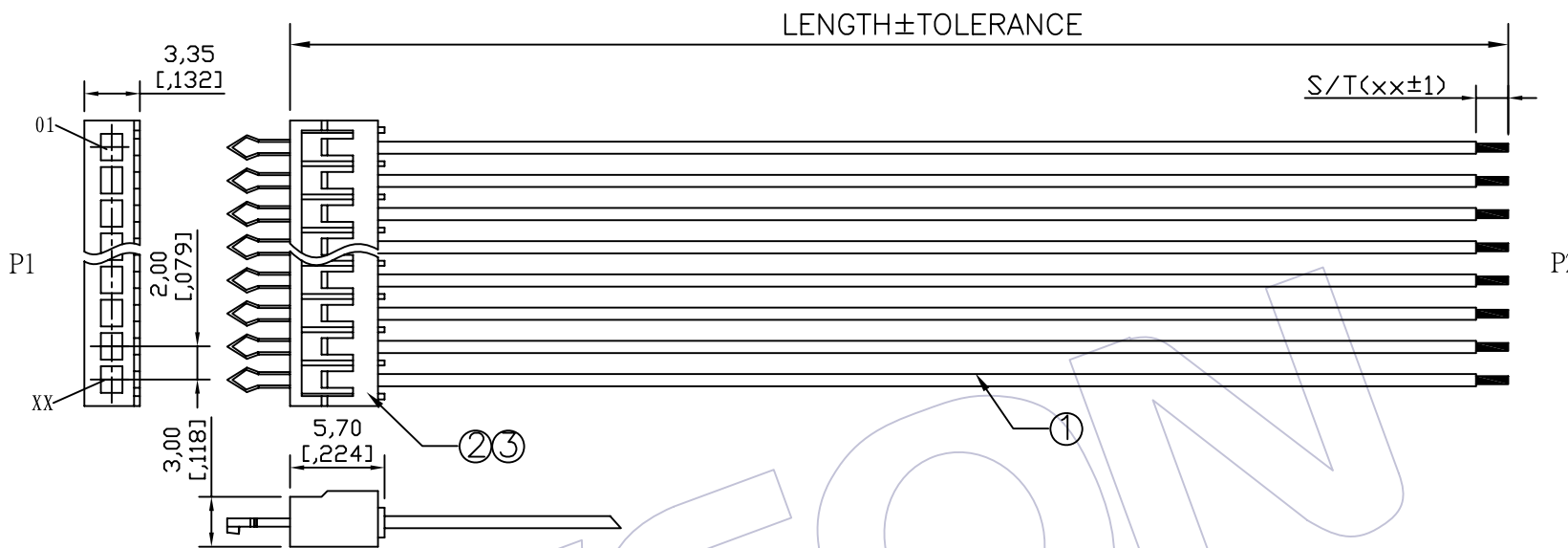


HSF



SPECIFICATIONS

Insulation Resistance: 5MΩ Min
 Contact Resistance: 3.0Ω Max
 Withstand Voltage: DC 300V, 10S
 The Cable Assembly Must 100% Test

CONNECT METHOD

P1	Color	P2
01	XXX	OPEN
02	XXX	OPEN
03	XXX	OPEN
	⋮	
XX	XXX	OPEN

Wire SPEC	LENGTH	TOLERANCE
ULxxxx 24~30AWG	1~499	±5
	500~999	±10
	1000~1500	±15
	1501~3000	±20
	3001~5000	±30
	5001~	± Lx1%

Ordering Information

C9120 - xx 01 xxx 301

No. of Pins: 04~30P
 Shape Style: 01=one end Process, another one end plate tin
 Length of Line

NO.	PART NO.	NAME	Specification	Q' TY	UNIT
③	WF2004-TBSN01	Terminal	PH2.00mm Brass Tin Terminal	xx	PCS
②	WF2004-HxxW01	Housing	PH2.00mm xxP 180° White Housing	1	PCS
①	Wxxxx-1xxx00001	WIRE	UL: xxxx, AWG: 24~30, Color: xx, Wire	xxxx	MM

REV	DATE	MODIFICATION DESCRIPTION	CHANGE	APPROVE	SCALE	UNIT	SHEET	PROJ.	客户料号 Customer NO.
A0	09/09/24	NEW			FREE	mm	1/1		

WCON 维峰五金电子有限公司
 WAVE HARDWARE ELECTRONICS CO. LTD

料号 PART NO. C9120-xx01xxx301
 品名 TITLE: PH2.00 **P Housing TO OPEN