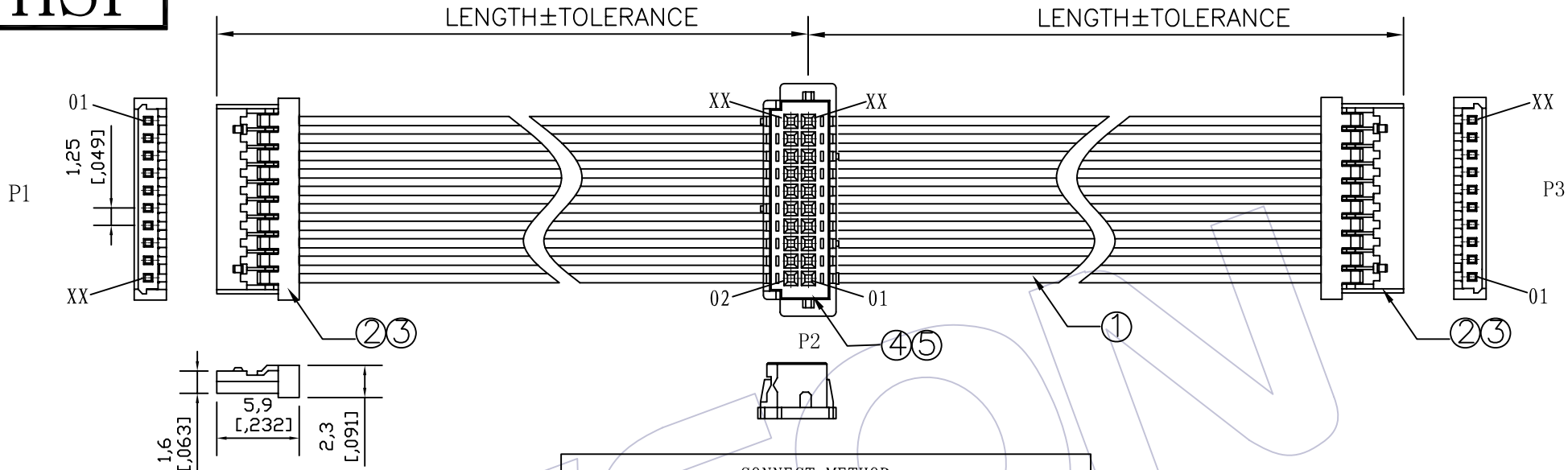


HSF



SPECIFICATIONS
 Insulation Resistance: 5MΩ Min
 Contact Resistance: 3.0Ω Max
 Withstand Voltage: DC 300V, 10S
 The Cable Assembly Must 100% Test

CONNECT METHOD					
P1	Color	P2	P3	Color	P2
XX	XXX	02	01	XXX	01
XX	XXX	04	02	XXX	03
XX	XXX	06	03	XXX	05
01	XXX	XX	XX	XXX	XX

Wire SPEC	LENGTH	TOLERANCE
ULxxxx 28~32AWG	1~499	±5
	500~999	±10
	1000~1500	±15
	1501~3000	±20
	3001~5000	±30
	5001~	± Lx1%

Ordering Information

C9110 - xx 02 xxx 001

No. of Pins: 04~30P Shape Style: 02=Both ends Process Length of Line

NO.	PART NO.	NAME	Specification	Q'TY	UNIT
⑤	WF1255-TPSN01	Terminal	PH1.25mm Phosphor Bronze Tin Terminal	xx	PCS
④	WF1255-Hxxx01	Housing	PH1.25mm xxP Color: xxx Housing	1	PCS
③	WF1253-TPSN01	Terminal	PH1.25mm Phosphor Bronze Tin Terminal	Double xx	PCS
②	WF1253-Hxxx01	Housing	PH1.25mm xxP Color: xxx Housing	2	PCS
①	Wxxxx-1xxx00001	WIRE	UL: xxxx, AWG: 28-32, Color: xx, Wire	xxxx	MM

AO	09/09/10	NEW				工程图 ENGINEERING	绘图 DRAW	BEN	09/09/10	SCALE	free	WCON 维峰五金电子有限公司 WAFE HARDWARE ELECTRONICS CO. LTD 料号 PART NO. C9110-xx02xxx001 品名 TITLE: PH1.25 **P Housing/PH1.25 xxP Housing 客户料号 Customer NO.
版次 REV	日期 DATE	变更说明 MODIFICATION DESCRIPTION	变更 CHANGE	核准 APPROVE		X.X ±0.30	设计 DESIGN			UNIT	mm	
						X.XX ±0.20	审核 CHECK			SIZE	A4	
						X.XXX ±0.10	核准 APPROVE			SHEET	1/1	
						Angle ± 2°				PROJ.	客户料号 Customer NO.	
						DIM TOL						