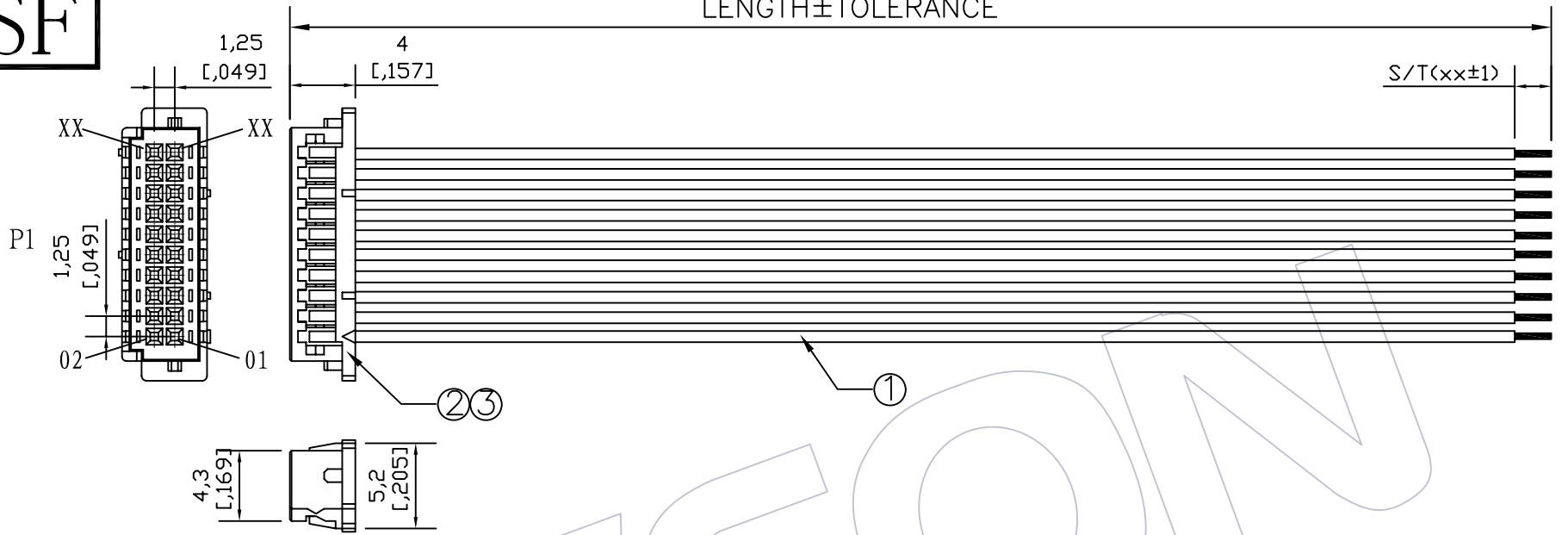


HSF



SPECIFICATIONS

Insulation Resistance: 5MΩ Min
 Contact Resistance: 3.0Ω Max
 Withstand Voltage: DC 300V, 10S
 The Cable Assembly Must 100% Test

Ordering Information

C9110 - XX 01 XXX 201

No. of Pins: 10,14, 20,30,40
 Shape Style: 01=one end Process, another one end plate tin
 Length of Line

CONNECT METHOD

P1	Color	P2
01	XXX	OPEN
02	XXX	OPEN
03	XXX	OPEN
XX	XXX	OPEN

Wire SPEC	LENGTH	TOLERANCE
ULxxxx 28~32AWG	1~499	±5
	500~999	±10
	1000~1500	±15
	1501~3000	±20
	3001~5000	±30
	5001~	± Lx1%

NO.	PART NO.	NAME	Specification	Q'TY	UNIT
③	WF1253-TPSN01	Terminal	PH1.25mm Phosphor Bronze Tin Terminal	xx	PCS
②	WF1253-Hxxx01	Housing	PH1.25mm xxP Color: xxx Housing	1	PCS
①	Wxxxx-1xxx00001	WIRE	UL: xxxx, AWG: 28-32, Color: xx, Wire	xxxx	MM

REV	DATE	MODIFICATION DESCRIPTION	CHANGE	APPROVE	ENGINEERING	DRAW	SCALE	FREE	UNIT	SIZE	SHEET	PROJ.	客户料号Customer NO.
AO	09/09/18	NEW			X.X	±0.30	BEN	09/09/18	mm	A4	1/1		
					X.XX	±0.20							料号 PART NO. C9110-xx01xxx201
					X.XXX	±0.10							品名 TITLE: PH1.25 **P Housing TO OPEN
					Angle	± 2'							
					DIM	TOL							

WCON 维峰五金电子有限公司
 WAVE HARDWARE ELECTRONICS CO. LTD