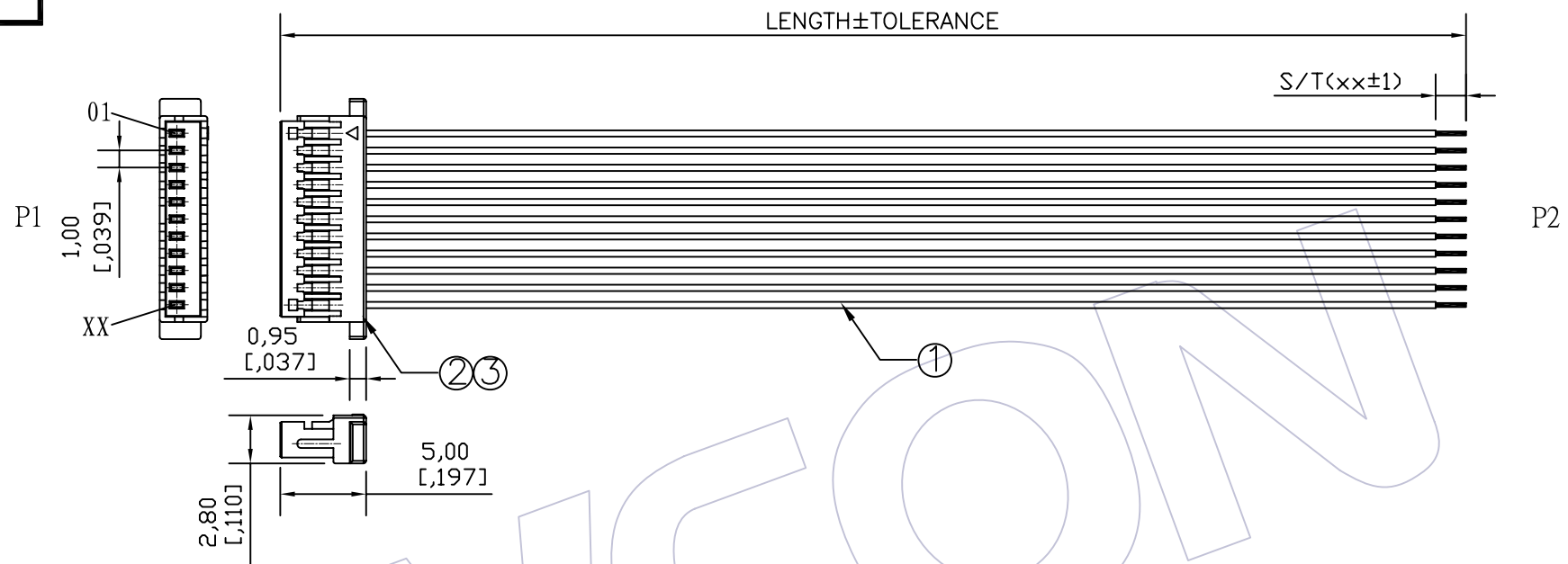


# HSF



### SPECIFICATIONS

Insulation Resistance: 5MΩ Min  
 Contact Resistance: 3.0Ω Max  
 Withstand Voltage: DC 300V, 10S  
 The Cable Assembly Must 100% Test

### CONNECT METHOD

P1	Color	P2
01	XXX	OPEN
02	XXX	OPEN
03	XXX	OPEN
XX	XXX	OPEN

Wire SPEC	LENGTH	TOLERANCE
ULxxxx 28~32AWG	1~499	±5
	500~999	±10
	1000~1500	±15
	1501~3000	±20
	3001~5000	±30
	5001~	± Lx1%

### Ordering Information

C9100 - xx 01 xxx 001

No. of Pins: 02~20P  
 Shape Style: 01=one end Process, another one end plate tin  
 Length of Line

NO.	PART NO.	NAME	Specification	Q'TY	UNIT
③	WF1001-TPSN01	Terminal	PH1.0mm Phosphor Bronze Tin Terminal	xx	PCS
②	WF1001-HxxW01	Housing	PH1.0mm xxP White Housing	1	PCS
①	Wxxxx-1xxx00001	WIRE	UL: xxxx, AWG: 28-32, Color: xx, Wire	xxxx	MM

REV	DATE	MODIFICATION DESCRIPTION	CHANGE	APPROVE	SCALE	UNIT	SHEET	PROJ.	CUSTOMER NO.
A0	09/09/18	NEW			FREE	mm	1/1		

**WCON** 维峰五金电子有限公司  
 WAVE HARDWARE ELECTRONICS CO. LTD

料号 PART NO. C9100-xx01xxx001  
 品名 TITLE: PH1.0 \*\*P Housing TO OPEN