

HSF

NOTES:
 Rated Current:9.0A
 Rated Voltage:600V AC/DC
 Contact Resistance:20mΩ max
 Withstand Voltage:1000V AC/Minute
 Insulation Resistance:1000MΩ min
 Operation Temperature:-25℃ to+85℃

Ordering Information

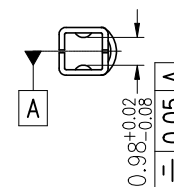
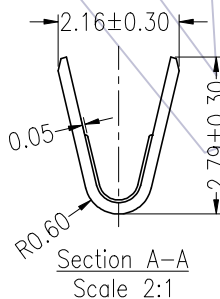
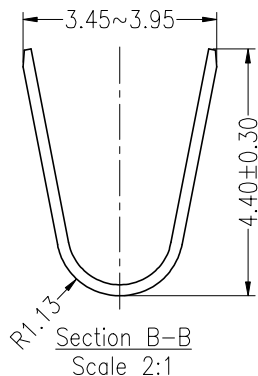
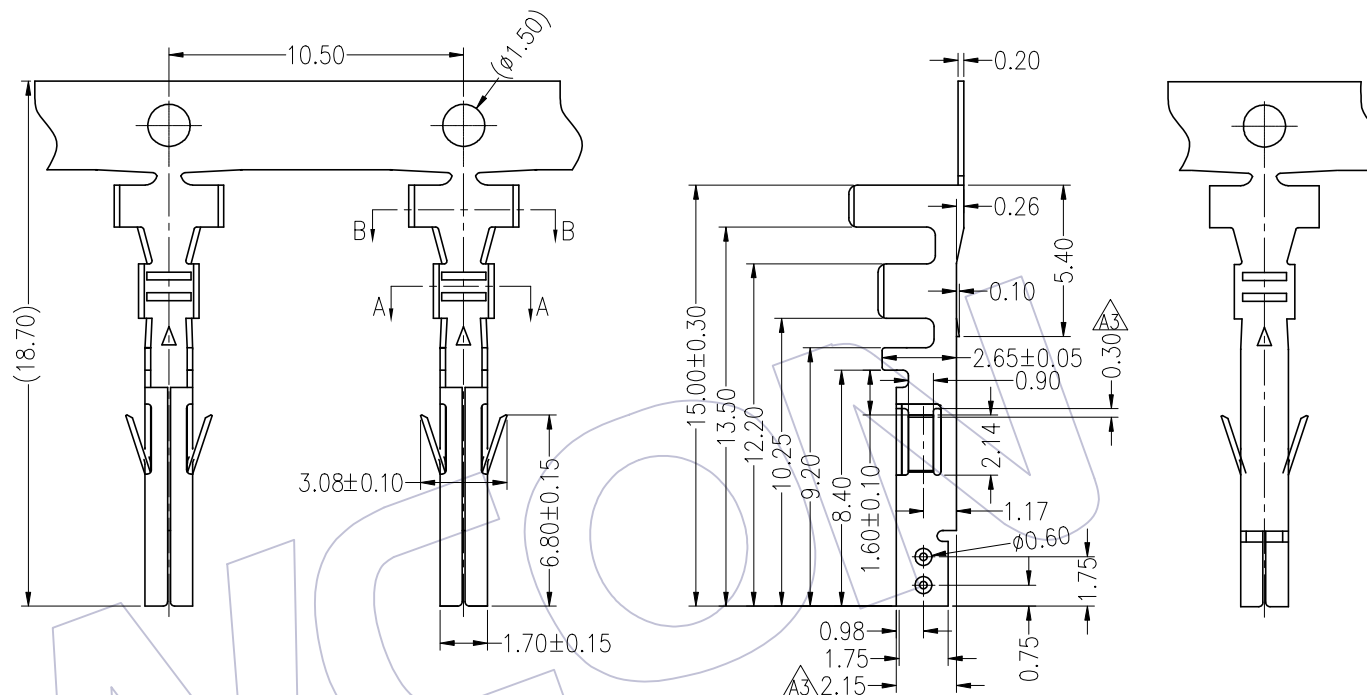
WF4202 - T X XX 01

Material

B=Brass
 P=Phosphor bronze

Contact Plating

G0=Gold Flash
 G3=10u"Gold
 G4=15u"Gold
 G5=30u"Gold
 S0=Gold Flash/Tin
 S3=1.0u"Gold/Tin
 S4=1.5u"Gold/Tin
 S5=3.0u"Gold/Tin
 SN=Tin



Specification & Ordering Information:

Part No.	Thickness	Finish	Material	Wire Range	Insulation O.D	Q'ty/Reel
WF4202-TXG001	0.20	Gold-flash	Phosphor bronze/Brass	AWG#18~#24	3.10mm(Max)	4,000pcs
WF4202-TXSN01	0.20	Tin-Plated	Phosphor bronze/Brass	AWG#18~#24	3.10mm(Max)	4,000pcs

REV	DATE	MODIFICATION DESCRIPTION	CHANGE	OPERATION	DATE	SCALE	FIT	PART NO.	TITLE:	Customer NO.
A3	2022/08/08	Adjust size	△3	GH	2022/08/08	UNIT	mm	SEE TAB	4.20mm TERMINAL FEMALE	WCON-Dongguan Tel: +86 769 85358920 Fax: +86 769 85358915 E-mail: sales@wcon.com
A2	2020/08/28	Modify 6.80 ± 0.15	△2	DuYing		SIZE	A4			
A1	2016/06/07	Change The Dimension		SamZheng		SHEET	1/1			
A0	2012/09/17	NEW				PROJ.				

WCON

Http: www.wcon.com

WCON-Dongguan
 Tel: +86 769 85358920
 Fax: +86 769 85358915
 E-mail: sales@wcon.com

WCON-Kunshan
 Tel: +86 512 57468408
 Fax: +86 512 57468468
 E-mail: sales@wcon.com