

HSF

NOTES:
 Rated Current:9.0A
 Contact Resistance:20mΩ max
 Withstand Voltage:1500V AC/Minute
 Insulation Resistance:1000MΩ min
 Operation Temperature:-25℃ to+85℃

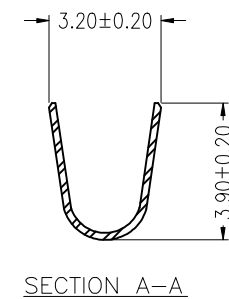
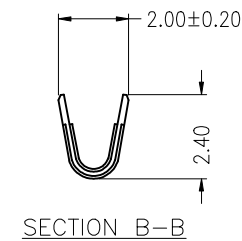
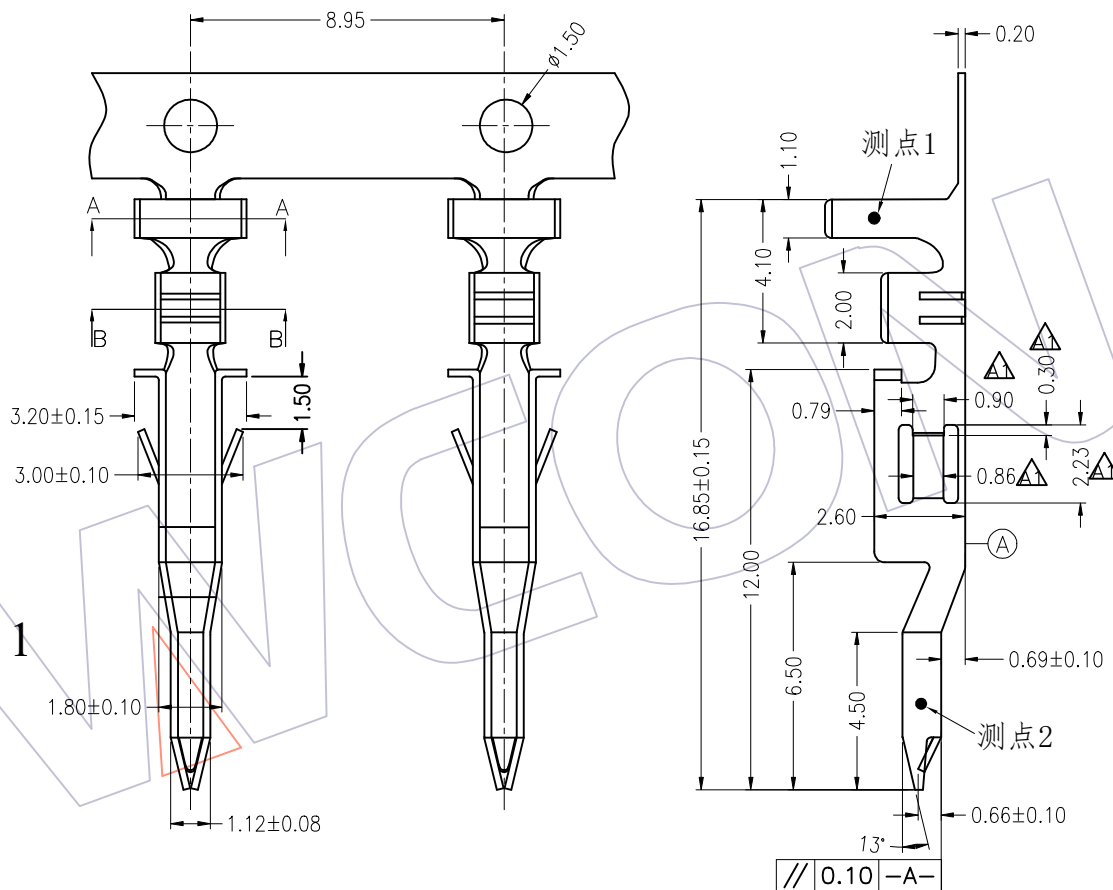
Wire Range:18~24#AWG
 (Insulation O.D.:3.10mmMax)

Ordering Information

WF4202 - M T X XX 0 1

Material:
 B=Bronze
 P=Phosphor

Contact Plating:
 S0=Gold Flash/Tin
 S3=10μ"Gold/Tin
 S4=15μ"Gold/Tin
 S5=30μ"Gold/Tin
 SN=Tin



REV	DATE	MODIFICATION DESCRIPTION	CHANGE	OPERATION		DRAW PAN	DATE	SCALE	FIT	PART NO.
				X.X	±0.40					
A1	2021/12/14	Add Link Stopper	—	X.XX	±0.25	CHECK	2021/12/14	UNIT	mm inch	SEE TAB
AO	2012/09/17	NEW	—	X.XXX	±0.15	CHECK	DATE	SIZE	A4	TITLE: 4.20 TERMINAL MALE
				Angle	± 3'	APPROVE	DATE	SHEET	1/1	Customer NO.
				DIM	TOL			PROJ.		

WCON

Http: www.wcon.com

WCON-Dongguan
 Tel: +86 769 85358920
 Fax: +86 769 85358915
 E-mail: sales@wcon.com

WCON-Kunshan
 Tel: +86 512 57468408
 Fax: +86 512 57468468
 E-mail: salesks@wcon.com