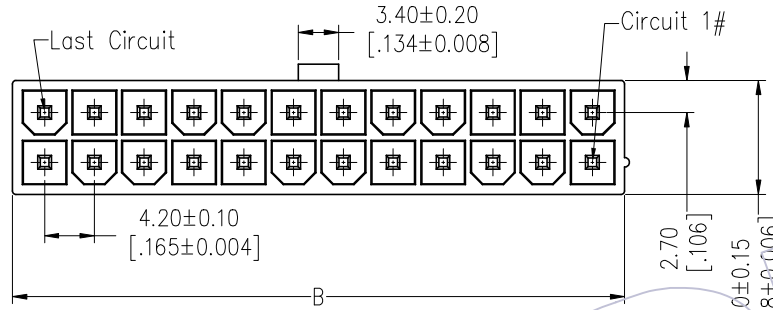


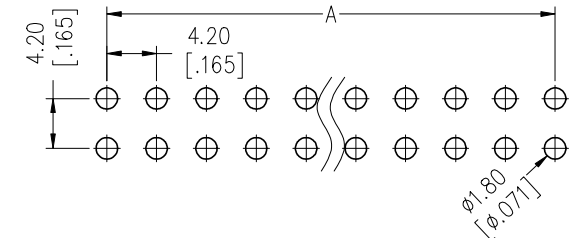
NOTES:
 Rated Current: See Table Δ
 Contact Resistance: 30m Ω max
 Withstand Voltage: 1500V AC/minute
 Insulation Resistance: 1000M Ω min
 Operation Temperature: -25 $^{\circ}$ C to +85 $^{\circ}$ C

Contact Material: Brass
 Contact Plating: Au Or Sn Over Ni
 Insulator Material: PA66(White Transparent UL94-V2 std)Or PA46(Natutal UL94-V0)

Size Wire	Ckt	2&3	4-6	7-10	12-24
AWG#18		9A	8A	7A	6A
AWG#20		7A	6A	5A	5A
AWG#22		5A	4A	4A	4A
AWG#24		4A	3A	3A	3A

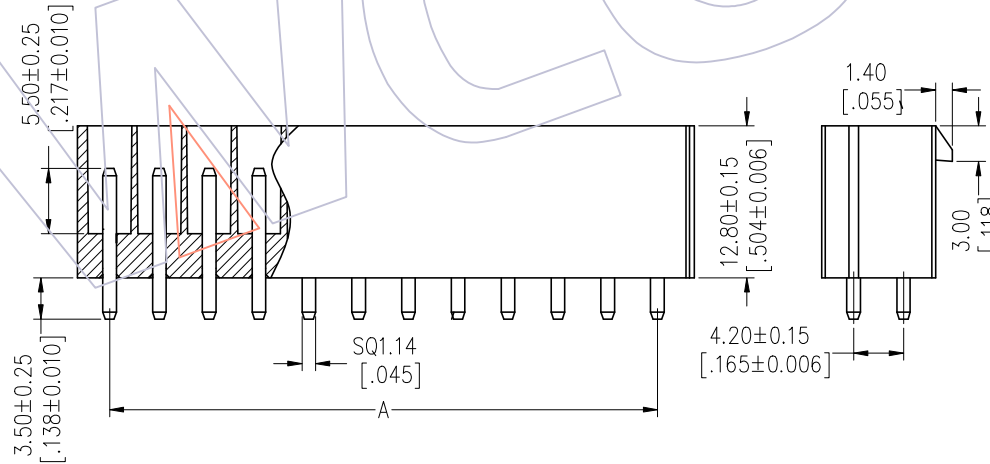
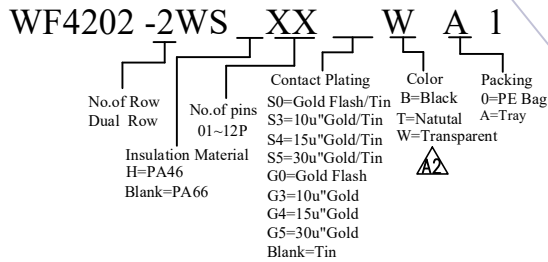


Recommended P.C.B Layout(Top Side)
 (PCB BOARD TOLERANCE \pm 0.05)



PART NO.	PIN	A	B	Material
WF4202-2WSHXXX1	2*5P及以下	+0.30 -0.10	+0.40 -0.20	PA46
	2*5P以上	+0.50 -0.00	+0.60 -0.00	
WF4202-2WSXXX1	2*1P-2*12P	\pm 0.20	\pm 0.30	PA66

Ordering Information



Dimensional & Ordering Information

Circuit	Part No.	Dimension		Pcs /Tray
		A	B	
2x01	WF4202-2WS01WA1	---	5.40	450
2x02	WF4202-2WS02WA1	4.20	9.60	260
2x03	WF4202-2WS03WA1	8.40	13.80	180
2x04	WF4202-2WS04WA1	12.60	18.00	140
2x05	WF4202-2WS05WA1	16.80	22.20	110
2x06	WF4202-2WS06WA1	21.00	26.40	100
2x07	WF4202-2WS07WA1	25.20	30.60	80
2x08	WF4202-2WS08WA1	29.40	34.80	70
2x09	WF4202-2WS09WA1	33.60	39.00	60
2x10	WF4202-2WS10WA1	37.80	43.20	60
2x11	WF4202-2WS11WA1	42.00	47.40	50
2x12	WF4202-2WS12WA1	46.20	51.60	50

REV	DATE	MODIFICATION DESCRIPTION	CHANGE	OPERATION	DRAW	DATE	SCALE	FIT	PART NO.
A3	23/07/08	Modify Rated Current: See Tabler Δ	DuYing	OPERATION	DRAW	23/07/08	UNIT	mm	WF4202-2WSXXWA1
A2	23/03/06	Modify Color Δ	DuYing	x.X \pm 0.40	CHECK	DATE	SIZE	A4	TITLE: 4.20 MINI FIT DUAL ROW 180° WITHOUT POST
A1	19/05/15	Modify	Ding	x.XX \pm 0.25	APPROVE	DATE	SHEET	1/2	Customer NO.
A0	12/09/19	NEW		x.XXX \pm 0.15			PROJ.		
				Angle \pm 3'					
				DIM TOL					

WCON
 Http: www.wcon-china.com

WCON-Dongguan
 Tel: +86 769 85358920
 Fax: +86 769 85358915
 E-mail: sales@wcon-china.com

WCON-Kunshan
 Tel: +86 512 57468408
 Fax: +86 512 57468468
 E-mail: wconks@wcon-china.com