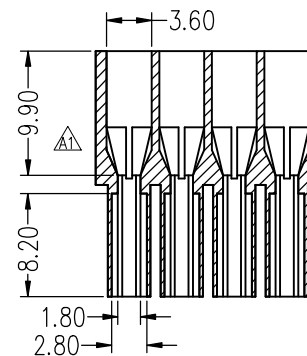
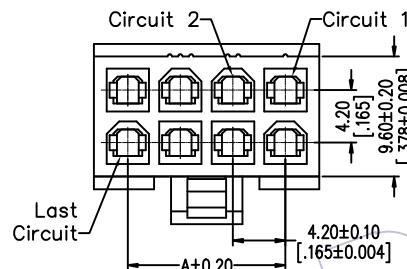
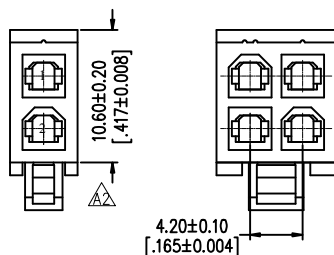
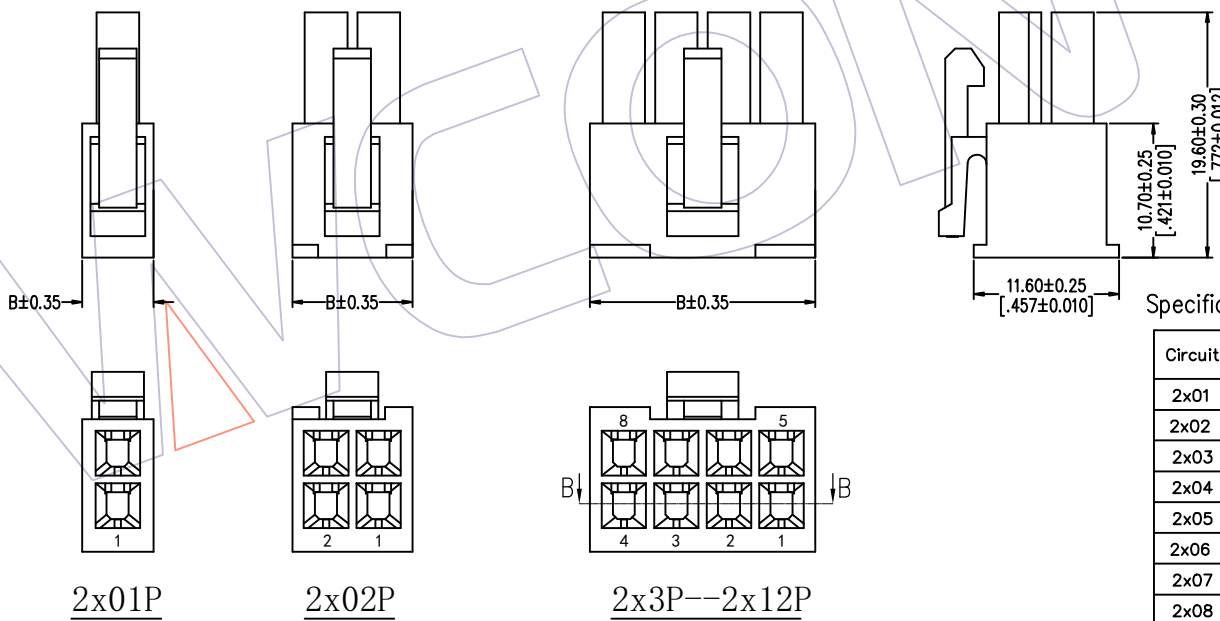


HSF

NOTES:
 Rated Current: 9.0A
 Contact Resistance: 20mΩ max
 Withstand Voltage: 1500V AC/Minute
 Insulation Resistance: 1000MΩ min
 Operation Temperature: -25°C to +85°C
 Insulator Material: PA66 UL94V-2
 Used with: WF4202-T (Female Terminal)



Section B-B



Ordering Information

WF4202 -2 H XX W 0 1

No. of Row: Dual Row
 No. of pins: 01P-12P
 Color: W=White, B=Black
 Packing: 0=PE Bag

2x01P

2x02P

2x3P--2x12P

Specification & Ordering Information:

Circuit	Part No.	Dimension	
		A	B
2x01	WF4202-2H01W01	---	5.70
2x02	WF4202-2H02W01	4.20	9.60
2x03	WF4202-2H03W01	8.40	13.80
2x04	WF4202-2H04W01	12.60	18.00
2x05	WF4202-2H05W01	16.80	22.20
2x06	WF4202-2H06W01	21.00	26.40
2x07	WF4202-2H07W01	25.20	30.60
2x08	WF4202-2H08W01	29.40	34.80
2x09	WF4202-2H09W01	33.60	39.00
2x10	WF4202-2H10W01	37.80	43.20
2x11	WF4202-2H11W01	42.00	47.40
2x12	WF4202-2H12W01	46.20	51.60

REV	DATE	MODIFICATION DESCRIPTION	CHANGE	OPERATION	DRAW	DATE	SCALE	FIT	PART NO.
A2	2020/09/11	Add Drawing	DuYing	x.X ±0.40	DuYing	2020/09/11	UNIT	mm/inch	SEE TAB
A1	2016/06/07	Modify	JYHuang	x.XX ±0.25	CHECK	DATE	SIZE	A4	TITLE: 4.20 HOUSING DUAL ROW
A0	2012/09/17	NEW	---	x.XXX ±0.15	APPROVE	DATE	SHEET	1/2	Customer NO.
				Angle ± 3°			PROJ.		
				DIM TOL					

WCON

Http: www.wcon.com

WCON-Dongguan
 Tel: +86 769 85358920
 Fax: +86 769 85358915
 E-mail: sales@wcon.com

WCON-Kunshan
 Tel: +86 512 57468408
 Fax: +86 512 57468468
 E-mail: sales@wcon.com