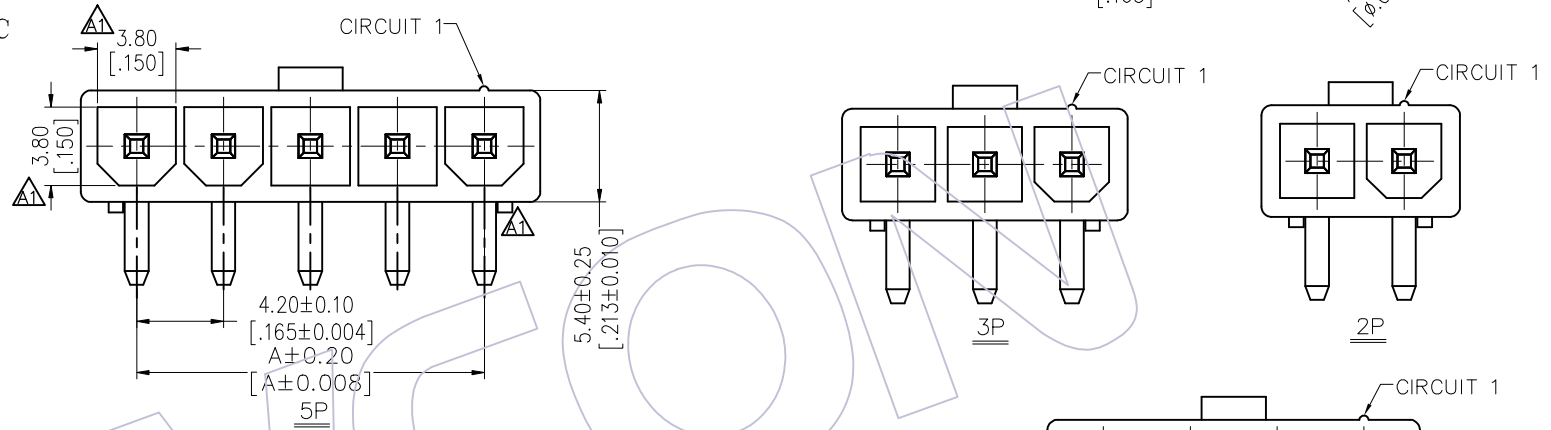
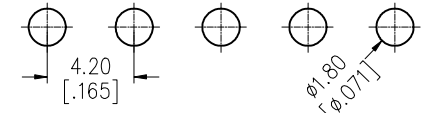


NOTES:  
 Rated Current: 9.0AMP  
 Contact Resistance: 30mΩ max  
 Withstand Voltage: 1000V AC/DC  
 Insulation Resistance: 1000MΩ min  
 Operation Temperature: -25℃ to +85℃

Contact Material: Brass  
 Contact plating: Au Or Sn Over Ni  
 Insulator Material: PA66 UL94V-0  
 PA46 UL94V-0

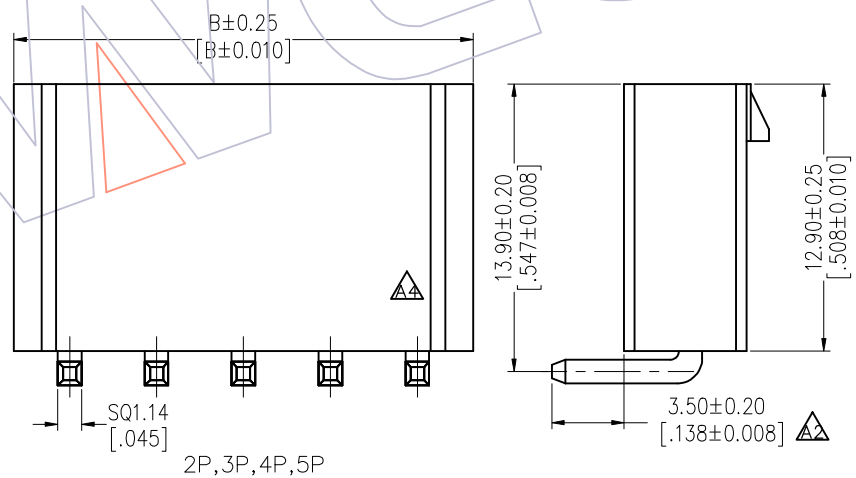
Recommended P.C.B Layout (Top Side)  
 (PCB BOARD TOLERANCE ±0.05)



### Ordering Information

WF4202 -1 WR XX W 0 1

- No. of Row Single Row
- H=PA46 Blank=PA66
- No. of pins 02-05P
- Contact Plating S0=Gold Flash/Tin S3=10u"Gold/Tin S4=15u"Gold/Tin S5=30u"Gold/Tin G0=Gold Flash G3=10u"Gold G4=15u"Gold G5=30u"Gold Blank=Tin
- Color B=Black W=White
- Packing 0=PE Bag



### Specification & Ordering Information:

Circuit	Part No.	Dimension	
		A	B
02	WF4202-1WR02W01	4.20	9.60
03	WF4202-1WR03W01	8.40	14.00
04	WF4202-1WR04W01	12.60	18.00
05	WF4202-1WR05W01	16.80	22.20

REV	DATE	MODIFICATION DESCRIPTION	CHANGE	OPERATION	DRAW	DATE	SCALE	FIT	PART NO.
A4	2022/05/12	MODIFY THE DIM	Du Ying	OPERATION	DATE	2022/05/12	UNIT	mm	SEE TAB
A3	2022/04/06	Add Insulator Material	Du Ying	±0.40	CHECK	DATE	SIZE	A4	
A2	2019/03/25	MODIFY DIP	Ding	±0.25	APPROVE	DATE	SHEET	1/1	TITLE: 4.20 WAFER SINGLE ROW 90° DIP
A0	2012/09/17	NEW		±0.15					
				Angle ± 3°			PROJ.		Customer NO.
				DIM TOL					

**WCON**  
 Http: www.wcon.com

WCON-Dongguan  
 Tel: +86 769 85358920  
 Fax: +86 769 85358915  
 E-mail: sales@wcon.com

WCON-Kunshan  
 Tel: +86 512 57468408  
 Fax: +86 512 57468468  
 E-mail: sales@wcon.com