

# HSF

NOTE:  
 Rated Current: See Table 1  
 Rated Voltage: 50 V AC(RMS)/DC;  
 Contact Resistance: 20mΩ Max;  
 Withstanding Voltage: 500V AC;  
 Insulation Resistance: 100MΩ Min;  
 Temperature Range: -40°C ~ +125°C  
 (Includes the terminal temperature rise)  
 Recommended Process:  
 IR soldering, Peak Temperature: 260±5°C, 5S

Terminal Material: Copper alloy  
 Terminal Plating: 100u" Matte Tin 50u" Over Nickel  
 Nail material: Copper alloy  
 Nail Plating: 100u" Matte Tin Over 50u" Nickel  
 Insulator Material: PA9T, G.F, UL94 V-0, BK

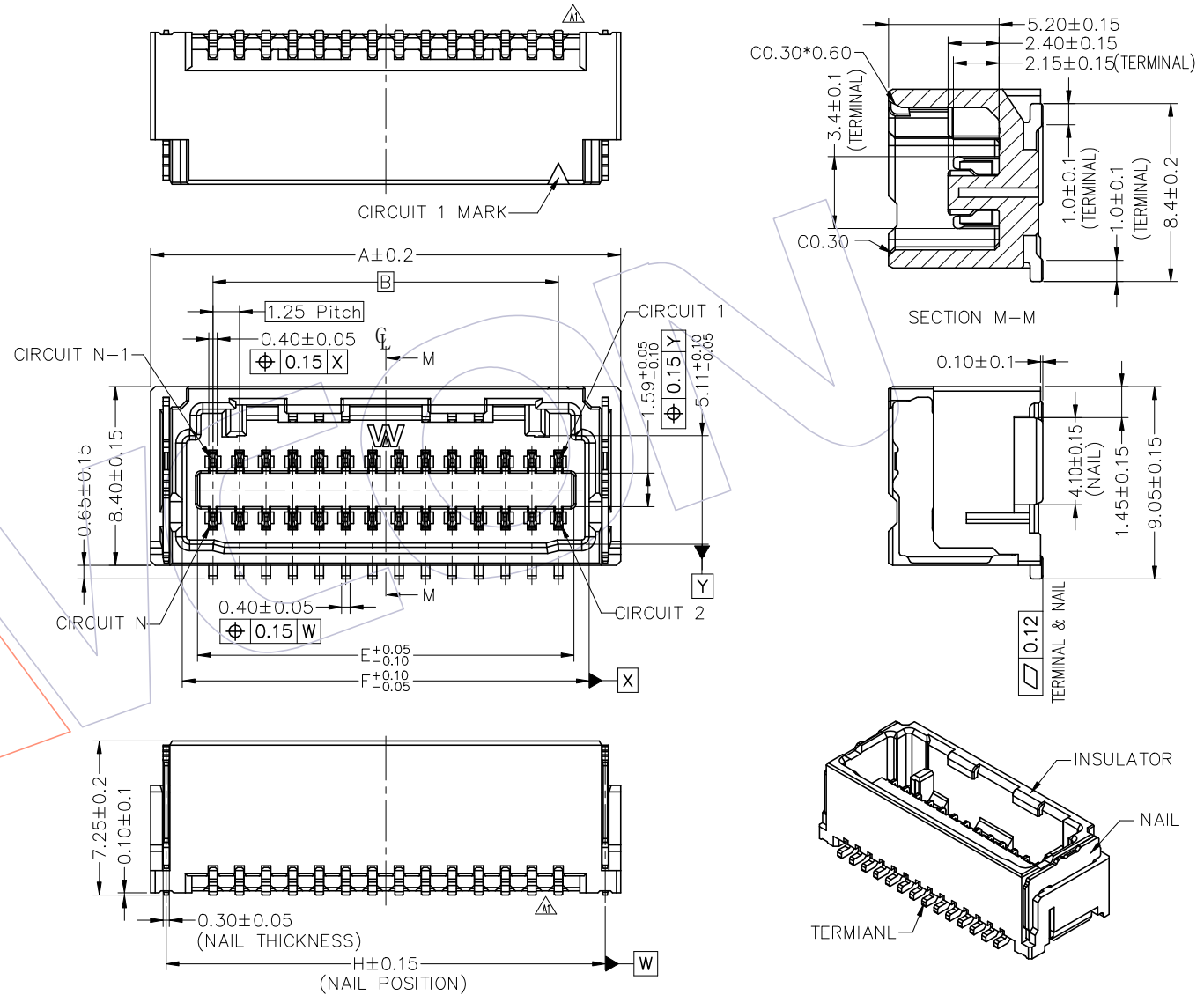
## Ordering Information

WF1258- 2 WM H XX B R X

- 2=DUAL ROW
- WM=180° SMT WAFER
- H=HIGH TEMPERATURE PLASTIC
- NO. OF CIRCUITS PER ROW  
04=4 CIRCUITS
- COLOR:  
B=BLACK
- PACKING:  
R=TAPE & REEL
- 1=WITHOUT COVER TAPE  
2=WITH COVER TAPE

TABLE 1:

CURRENT DERATING AT 23°C (MATED WITH WF1258 HOUSING(Dual Row)& HOUSING TERMINAL FOR TEST)					
AWG#	Amps(A) Max				
	2X4 CIRCUITS	2X8 CIRCUITS	2X12 CIRCUITS	2X16 CIRCUITS	2X21 CIRCUITS
26	2.4	1.8	1.7	1.6	1.5
28	2.1	1.6	1.5	1.4	1.3
30	1.8	1.4	1.3	1.2	1.1



REV	DATE	MODIFICATION DESCRIPTION	CHANGE	OPERATION		DRAW	DATE	SCALE	FIT	PART NO.
				DIM	TOL					
				X.X	±0.40	XueLei	2023/01/06	UNIT	mm	WF1258-2WMHXXBRX
A1	2023/01/06	Update Side View	XueLei	X.XX	±0.25	CHECK	DATE	SIZE	A4	TITLE:
A0	2022/05/18	NEW		X.XXX	±0.15	APPROVE	DATE	SHEET	1/4	1.25mm Wafer, M Type, SMT
				Angle	± 3'			PROJ.		Customer NO.

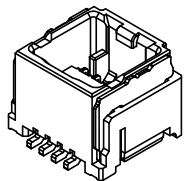


Http: [www.wcon.com](http://www.wcon.com)

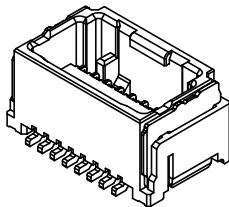
WCON-Dongguan Tel: +86 769 85358920 Fax: +86 769 85358915 E-mail: <a href="mailto:sales@wcon.com">sales@wcon.com</a>	WCON-Kunshan Tel: +86 512 57468408 Fax: +86 512 57468468 E-mail: <a href="mailto:salesks@wcon.com">salesks@wcon.com</a>
-------------------------------------------------------------------------------------------------------------------------------	----------------------------------------------------------------------------------------------------------------------------------

# HSF

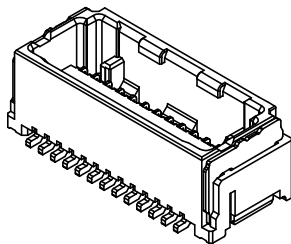
## PRODUCT SHAPE



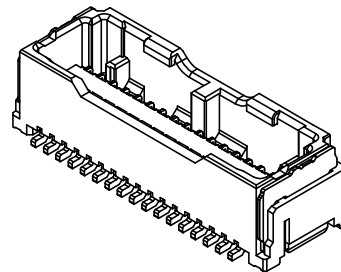
2X(4~7) CIRCUIT



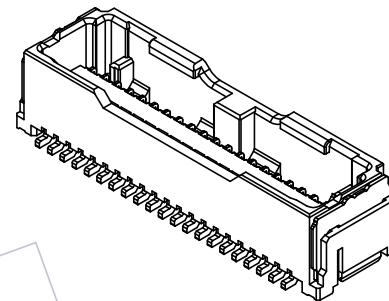
2X(8~12) CIRCUIT



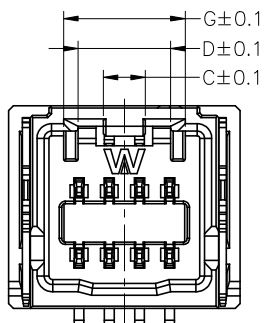
2X(13~16) CIRCUIT



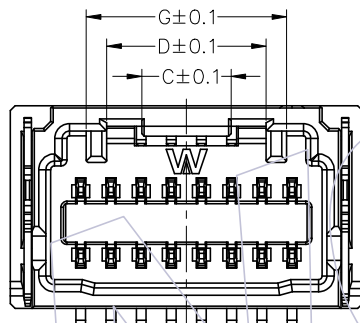
2X(17~20) CIRCUIT



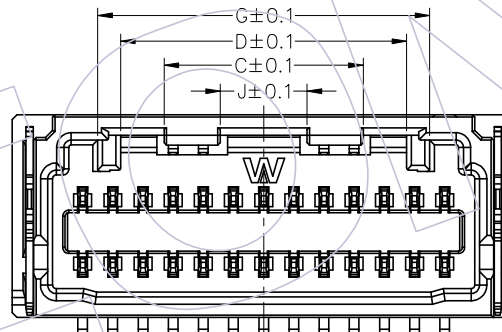
2 X21 CIRCUIT



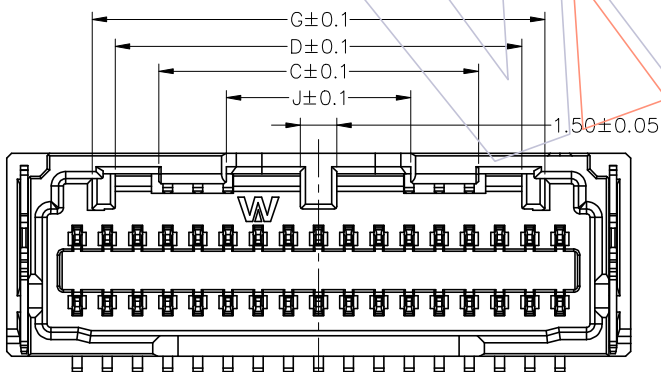
2X(4~7) CIRCUIT



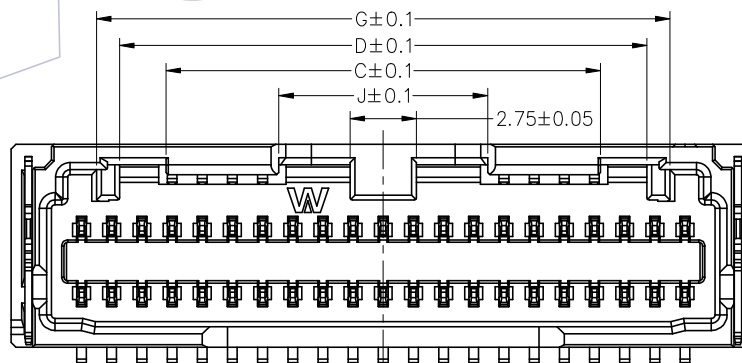
2X(8~12) CIRCUIT



2X(13~16) CIRCUIT



2X(17~20) CIRCUIT



2X21 CIRCUIT

CIRCUIT	A	B	C	D	E	F	G	H	J
2x4	9.60	3.75	1.74	3.84	5.20	6.64	5.04	8.15	/
2x5	10.85	5.00	2.99	5.09	6.45	7.89	6.29	9.40	/
2x6	12.10	6.25	4.24	6.34	7.70	9.14	7.54	10.65	/
2x7	13.35	7.50	4.85	7.59	8.95	10.39	8.79	11.90	/
2x8	14.60	8.75	3.70	6.60	10.20	11.64	8.30	13.15	/
2x9	15.85	10.00	4.25	7.85	11.45	12.89	9.55	14.40	/
2x10	17.10	11.25	4.50	9.10	12.70	14.14	10.80	15.65	/
2x11	18.35	12.50	5.75	10.35	13.95	15.39	12.05	16.90	/
2x12	19.60	13.75	7.00	11.60	15.20	16.64	13.30	18.15	/
2x13	20.85	15.00	8.25	11.85	16.45	17.89	13.75	19.40	3.60
2x14	22.10	16.25	9.50	13.10	17.70	19.14	15.00	20.65	/
2x15	23.35	17.50	10.75	14.35	18.95	20.39	16.25	21.90	4.00
2x16	24.60	18.75	12.00	15.60	20.20	21.64	17.50	23.15	/
2x17	25.85	20.00	13.25	16.85	21.45	22.89	18.75	24.40	/
2x18	27.10	21.25	14.50	18.10	22.70	24.14	20.00	25.65	7.65
2x19	28.35	22.50	15.75	19.35	23.95	25.39	21.25	26.90	/
2x20	29.60	23.75	17.00	20.60	25.20	26.64	22.50	28.15	/
2x21	30.85	25.00	18.00	21.85	26.45	27.89	23.75	29.40	8.65

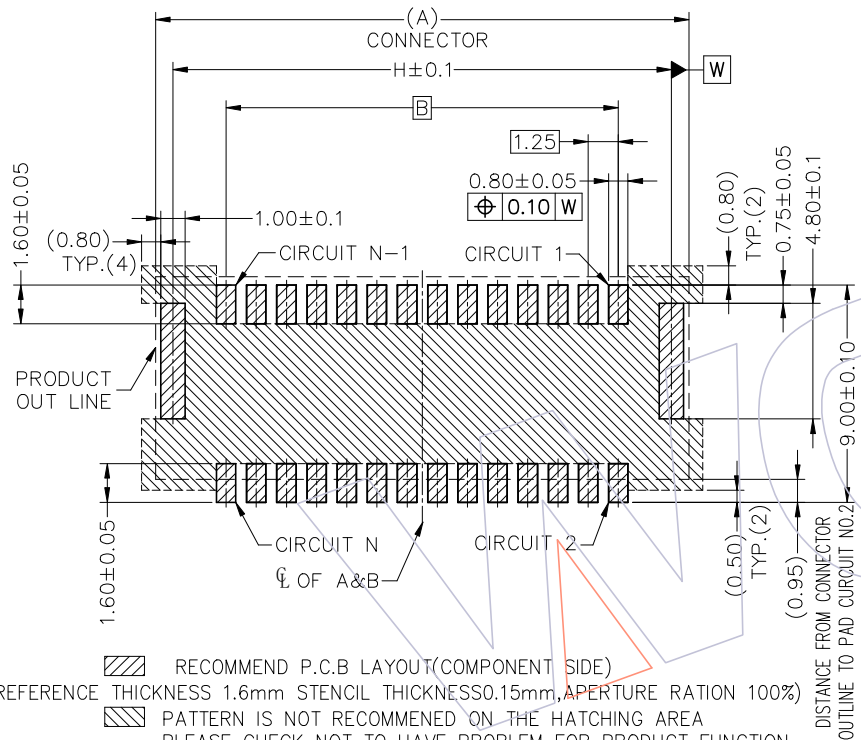
				OPERATION	DRAW	DATE	SCALE	FIT	PART NO.
				X.X ±0.40	XueLei	2023/01/06	UNIT	mm	WF1258-2WMHXXBRX
				X.XX ±0.25	CHECK	DATE	SIZE	A4	TITLE:
A1	2023/01/06	Update Side View	XueLei	X.XXX ±0.15	APPROVE	DATE	SHEET	2/4	1.25mm Wafer, M Type, SMT
A0	2022/05/18	NEW		Angle ± 3'			PROJ.	⊕	Customer NO.
REV	DATE	MODIFICATION DESCRIPTION	CHANGE	DIM TOL					



Http: [www.wcon.com](http://www.wcon.com)

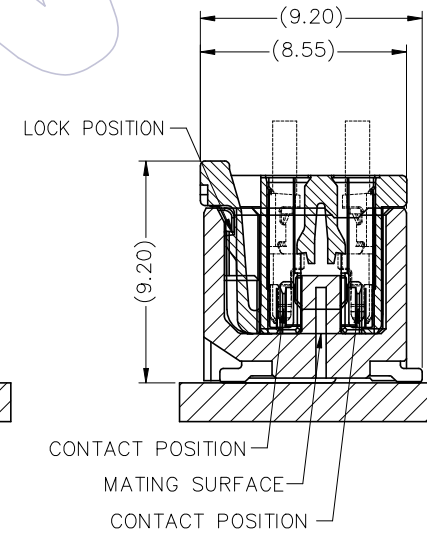
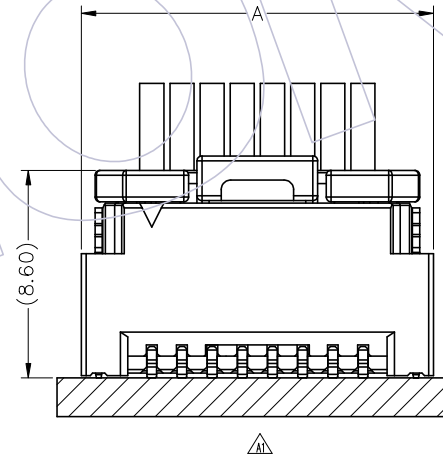
WCON-Dongguan Tel: +86 769 85358920 Fax: +86 769 85358915 E-mail: <a href="mailto:sales@wcon.com">sales@wcon.com</a>	WCON-Kunshan Tel: +86 512 57468408 Fax: +86 512 57468468 E-mail: <a href="mailto:salesks@wcon.com">salesks@wcon.com</a>
-------------------------------------------------------------------------------------------------------------------------------	----------------------------------------------------------------------------------------------------------------------------------

# HSF



▨ RECOMMEND P.C.B LAYOUT (COMPONENT SIDE)  
 (REFERENCE THICKNESS 1.6mm STENCIL THICKNESS 0.15mm, APERTURE RATION 100%)  
 ▨ PATTERN IS NOT RECOMMENDED ON THE HATCHING AREA  
 PLEASE CHECK NOT TO HAVE PROBLEM FOR PRODUCT FUNCTION  
 WHEN SETTING PATTERN ON THE HATCHING AREA

## MATED CONNECTORS



REV	DATE	MODIFICATION DESCRIPTION	CHANGE	OPERATION		DRAW	DATE	SCALE	FIT	PART NO.	TITLE:	WCON	
				X.X	$\pm 0.40$							XueLei	2023/01/06
A1	2023/01/06	Update Side View	XueLei	X.XX	$\pm 0.25$	CHECK	DATE	SIZE	A4	WF1258-2WMHXXBRX	1.25mm Wafer, M Type, SMT	Tel: +86 769 85358920	Tel: +86 512 57468408
A0	2022/05/18	NEW	---	X.XXX	$\pm 0.15$	APPROVE	DATE	SHEET	3/4	Customer NO.		Fax: +86 769 85358915	Fax: +86 512 57468468
				Angle	$\pm 3'$			PROJ.	$\phi$			E-mail: sales@wcon.com	E-mail: salesks@wcon.com

# WCON

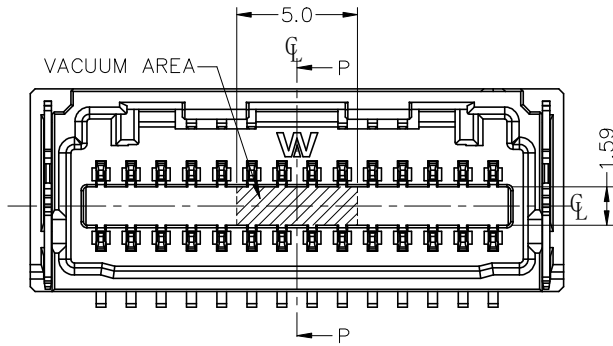
Http: www.wcon.com

WCON-Dongguan  
 Tel: +86 769 85358920  
 Fax: +86 769 85358915  
 E-mail: sales@wcon.com

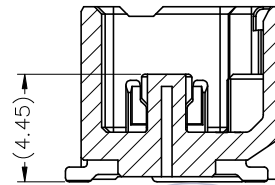
WCON-Kunshan  
 Tel: +86 512 57468408  
 Fax: +86 512 57468468  
 E-mail: salesks@wcon.com

HSF

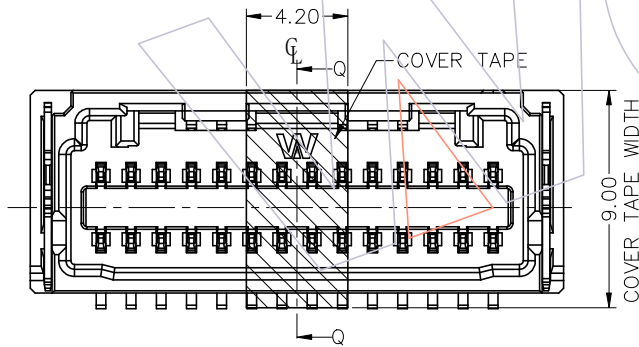
VACUUM AREA DIFFERENCE



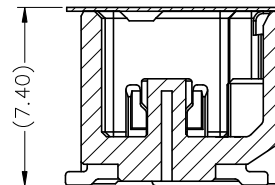
WITHOUT COVER TAPE



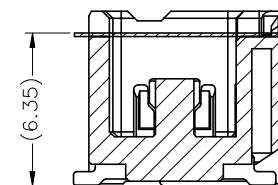
SECTION P-P  
VACUUM HEIGHT



WITH COVER TAPE

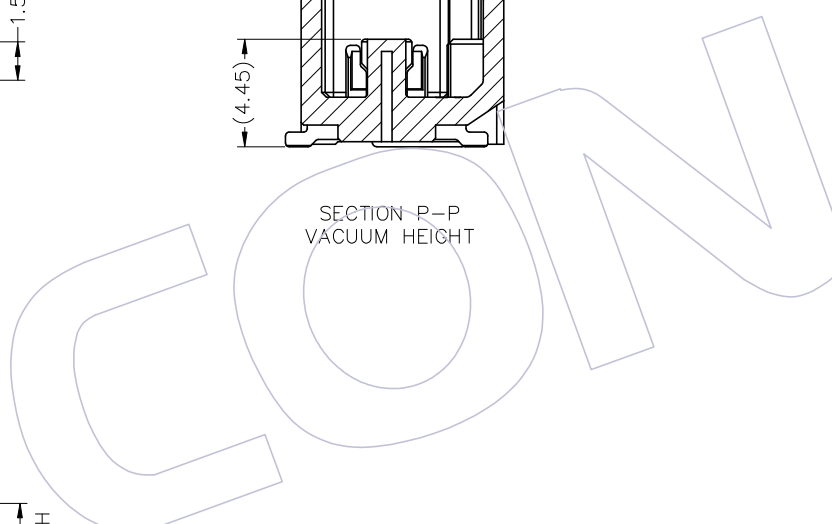


2x(4~16) CIRCUIT



2x(17~21) CIRCUIT

SECTION Q-Q  
VACUUM HEIGHT



REV	DATE	MODIFICATION DESCRIPTION	CHANGE	OPERATION		DRAW	DATE	SCALE	FIT	PART NO.
				X.X	±0.40					
A1	2023/01/06	Update Side View	XueLei	X.XX	±0.25	XueLei	2023/01/06	UNIT	mm	WF1258-2WMHXXBRX
A0	2022/05/18	NEW	—	X.XXX	±0.15	CHECK	DATE	SIZE	A4	TITLE:
				Angle	± 3'	APPROVE	DATE	SHEET	4/4	1.25mm Wafer, M Type, SMT
				DIM	TOL			PROJ.	⌀	Customer NO.

**WCON**

Http: www.wcon.com

WCON-Dongguan Tel: +86 769 85358920 Fax: +86 769 85358915 E-mail: sales@wcon.com	WCON-Kunshan Tel: +86 512 57468408 Fax: +86 512 57468468 E-mail: salesks@wcon.com
-------------------------------------------------------------------------------------------	--------------------------------------------------------------------------------------------