

HSF

NOTES:

Current Rating: 3.0AMP
 Contact Resistance: 30mΩ Max
 Withstand Voltage: 500V AC
 Insulation Resistance: 1000MΩ Min
 Operation Temperature: -55°C to +105°C

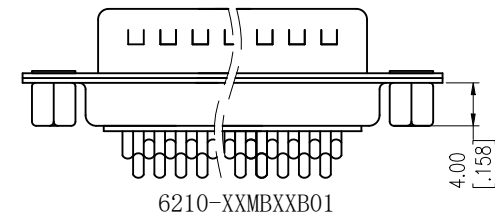
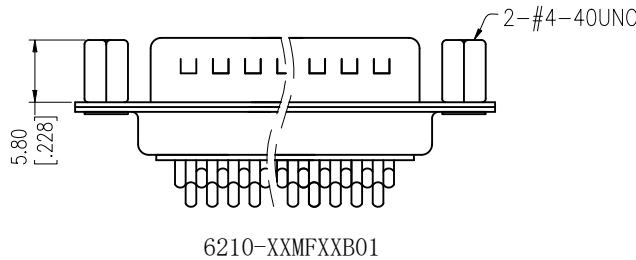
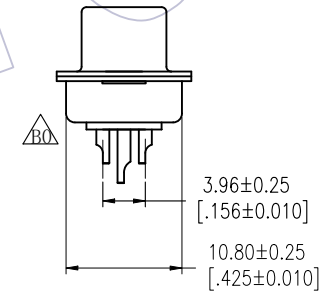
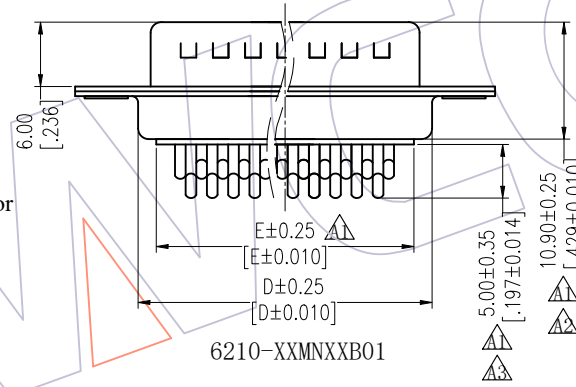
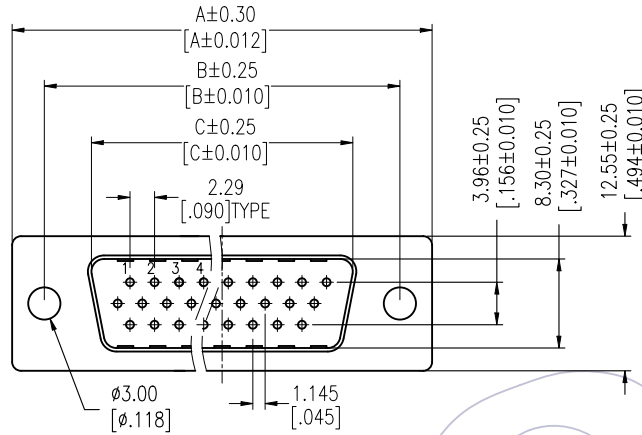
Contact Material: Copy Alloy
 Contact plating: Au Or Sn over Ni
 Insulator Material: PBT (G.F) UL94V-0
 Shell: Steel, Sn Or Ni Plated
 Nut: Brass, Sn over Ni Plated

Ordering Information

6210- XX M X XX B 01

No. of Pins: 15, 26, 44, 62P
 Type: B=With Back Nut, F=With Front Nut, N=Without Fork Without Nut
 Contact Plating: S0=Gold Flash/Tin, S3=10u"Gold/Tin, S4=15u"Gold/Tin, S5=30u"Gold/Tin, SN=Tin
 Insulator Color: B:Black, U:Blue, W:White

PINS	DIM "A"	DIM "B"	DIM "C"	DIM "D"	DIM "E"
15	30.81	24.99	16.92	19.10	15.81
26	39.14	33.32	25.25	27.75	24.90
44	53.04	47.04	38.96	41.30	38.20
62	69.32	63.50	55.42	57.40	54.30



REV	DATE	MODIFICATION DESCRIPTION	CHANGE	OPERATION	DRAW	DATE	SCALE	FIT	PART NO.
B0	2020/3/20	取消 7.00±0.25非功能性尺寸的管控							6210-XXMXXB01
A5	2016/10/25	7.40±0.25 → 7.00±0.25	△	x.X ±0.40	DingWenMin	2016/10/25	UNIT mm		HD-SUB MALE THREE ROW SOLDER TYPE
A4	2015/06/12	Modify The Contact Material	△	x.XX ±0.25	CHECK	DATE	SIZE A4		
A0	2012/12/03	NEW	-----	x.XXX ±0.15			SHEET 1/1		
REV	DATE	MODIFICATION DESCRIPTION	CHANGE	Angle ± 3'	APPROVE	DATE	PROJ.		Customer NO.

WCON
 Http: www.wcon.com
 WCON-Dongguan Tel: +86 769 85358920
 WCON-Kunshan Tel: +86 512 57468408
 Fax: +86 769 85358915 Fax: +86 512 57468468
 E-mail: sales@wcon.com E-mail: salesks@wcon.com