

HSF

NOTES:
 Current Rating: 3.0AMP
 Contact Resistance: 30mΩ Max
 Withstand Voltage: 500V AC/DC
 Insulation Resistance: 1000MΩ Min
 Operation Temperature: -55°C to +105°C

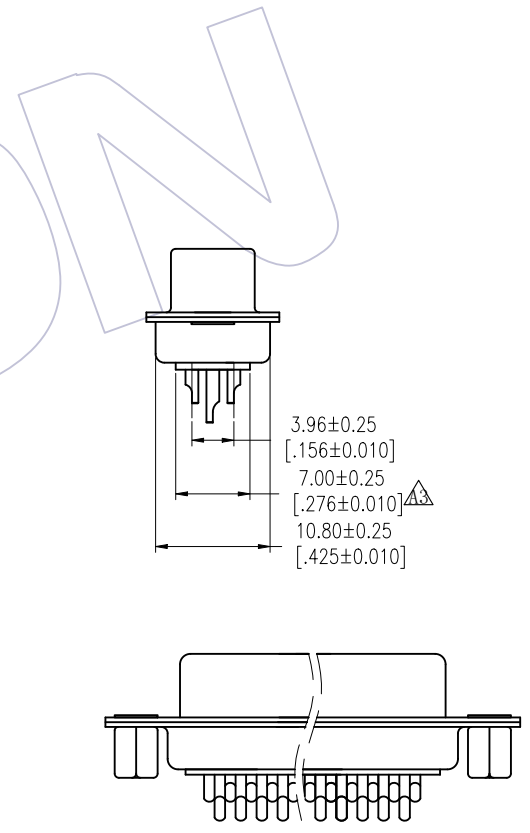
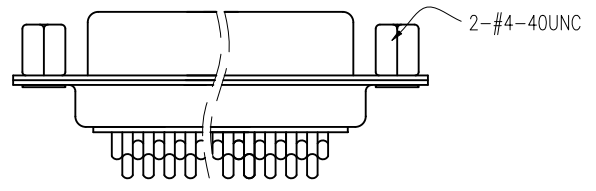
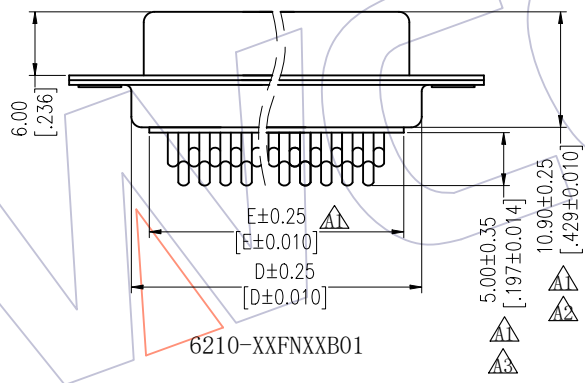
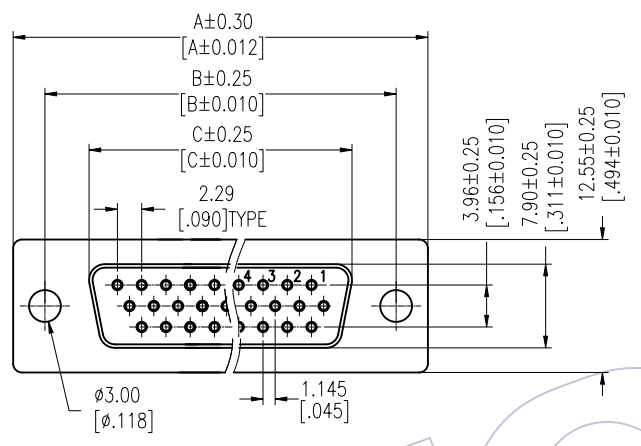
Contact Material: Brass \triangle
 Contact plating: Au Or Sn over Ni
 Insulator Material: PBT+30%G.F UL94V-0
 Shell: Steel, Sn Or Ni Plated
 Nut: Brass, Sn over Ni Plated

Ordering Information

6210-XX F X XX B 01

No. of Pins	Type	Contact Plating	Insulator Color
15,26,44,62P	B=With Back Nut F=With Front Nut N=Without Nut	S0=Gold Flash/Tin S3=10u"Gold/Tin S4=15u"Gold/Tin S5=30u"Gold/Tin SN=Tin	B:Black U:Blue W:White

PINS	DIM "A"	DIM "B"	DIM "C"	DIM "D"	DIM "E"
15	30.81	24.99	16.33	19.10	15.81
26	39.14	33.32	24.66	27.75	24.90
44	53.04	47.04	38.38	41.30	38.20
62	69.32	63.50	54.84	57.40	54.30



REV	DATE	MODIFICATION DESCRIPTION	CHANGE	OPERATION	DRAW	DATE	SCALE	FIT	PART NO.
A4	2015/06/12	Modify The Contact Material	\triangle	OPERATION	Draw	2015/06/12	UNIT	mm	6210-XXFXXXB01
A3	2014/06/18	Modify The DIM 4.35 to 5.00/7.40 to 7.00	\triangle	x.X ±0.40	Allen		SIZE	A4	
A2	2014/06/06	Modify The DIM 10.70 to 10.90	\triangle	x.XX ±0.25	CHECK		SHEET	1/1	HD-SUB FEMALE THREE ROW SOLDER TYPE
A0	2012/12/03	NEW	-----	x.XXX ±0.15			PROJ.	ϕ	
				Angle ± 3'	APPROVE				Customer NO.
				DIM TOL					

WCON
 Http: www.wcon.com
 WCON-Dongguan Tel: +86 769 85358920
 WCON-Kunshan Tel: +86 512 57468408
 Fax: +86 769 85358915
 Fax: +86 512 57468468
 E-mail: sales@wcon.com
 E-mail: salesks@wcon.com