

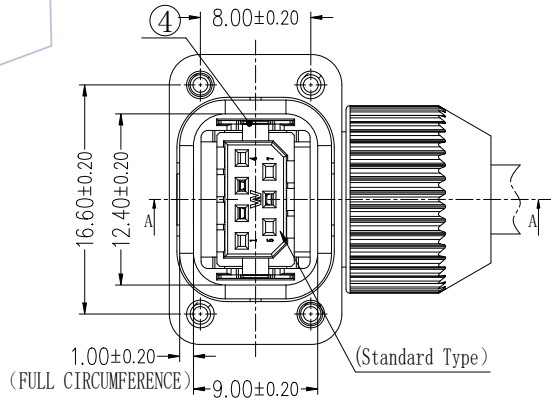
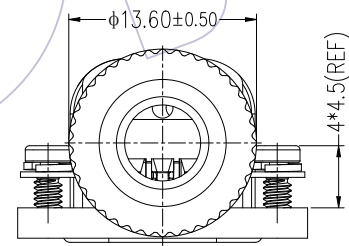
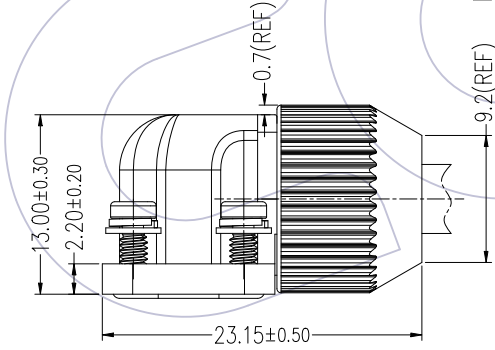
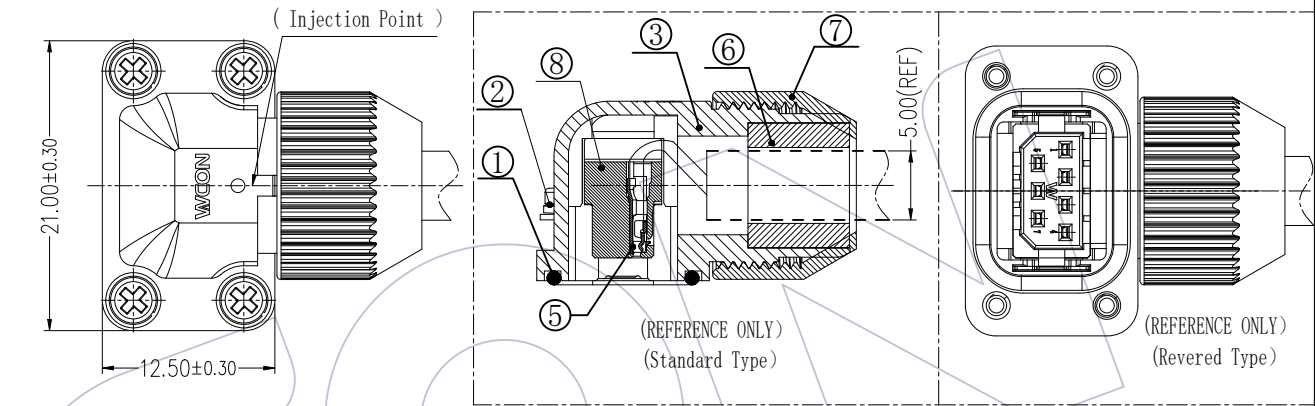
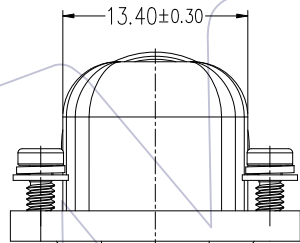
HSF

MJE06E-20 07 XX OX W
 E=Encorder
 20=PITCH:2.0
 07=7pin
 WIRE:
 22=22-26AWG
 30=26-30AWG
 W=With:LOGO
 Blank=Without:LOGO
 02:Standard Type
 03:Revered Type


SPECIFICATION:

1. RATED CURRENT: 1A MAX(PER 1 POS);
2. VOLTAGE RATING: 100V AC(RMS);
3. CONTACT RESISTANCE: 30MΩ MAX;
4. WITHSTAND VOLTAGE: 500V AC;
5. INSULATION RESISTANCE: 100MΩ MIN;
6. OPERATION TEMPERATURE: -40°C TO +125°C;
7. APPLICABLE WIRE:

WIRE SIZE: AWG#26~#22
 INSULATION OUTER DIAMETER: $\phi 0.8 \sim 1.30\text{MM}$;
 OR WIRE SIZE: AWG#30~#26
 INSULATION OUTER DIAMETER: $\phi 0.7 \sim 1.20\text{MM}$;
 FINISH OUTER DIAMETER: $\phi 4.50 \sim 5.50\text{MM}$;
 8. SCREWS AND GASKET SHALL NOT BE EASILY REMOVED;
 9. ALL MATERIALS SHOULD BE COMPLIANT TO ROHS;
 10. WATERPROOF: IP67(WHEN MATED);



8	塑胶主体 (SOCKET INSULATOR)	1	PBT	BLACK
7	塑胶螺帽 (GLAND NUT)	1	PA66	BLACK
6	密封套管 (BUSHING)	1	SILICONE RUBBER	GRAY
5	母端子 (SOCKET CONTACT)	7	Phosphor Copper	GOLD PLATING
4	固定弹片 (SPRING)	2	STAINLESS STEEL	
3	外壳 (HOOD)	1	PA66	BLACK
2	M2螺丝 (SCREW)	4	STEEL	ZINC PLATING
1	防水圈 (GASKET)	1	SILICONE RUBBER	BLACK
NO	DESCRIPTION	QTY	MATERIAL	REMARKS

		OPERATION		DRAW		DATE		SCALE		FIT		PART NO.		 Http: www.wcon.com WCON-Dongguan Tel: +86 769 85358920 Fax: +86 769 85358915 E-mail: sales@wcon.com WCON-Kunshan Tel: +86 512 57468408 Fax: +86 512 57468468 E-mail: salesks@wcon.com	
		x.x ±0.40		shi chun		2023. 03. 20		UNIT		mm		MJE06E-2007XX0X (W)			
		x.xx ±0.25		CHECK		DATE		SIZE		A4		TITLE:			
0		2023/03/20		NEW				SHEET		1/1		2.0mm Servo Motor 06 Series Encorder Plug, 7P HOOD Assembly			
REV		DATE		MODIFICATION DESCRIPTION		CHANGE		PROJ.		Customer NO.		---			
				Angle ± 3°		APPROVE		DATE							
				DIM TOL											