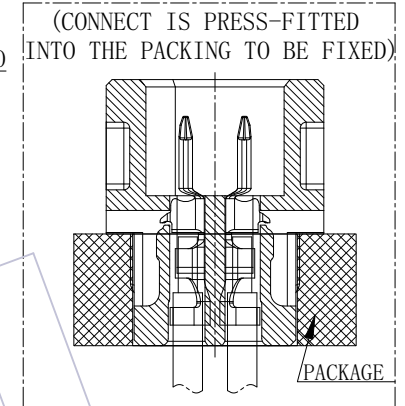
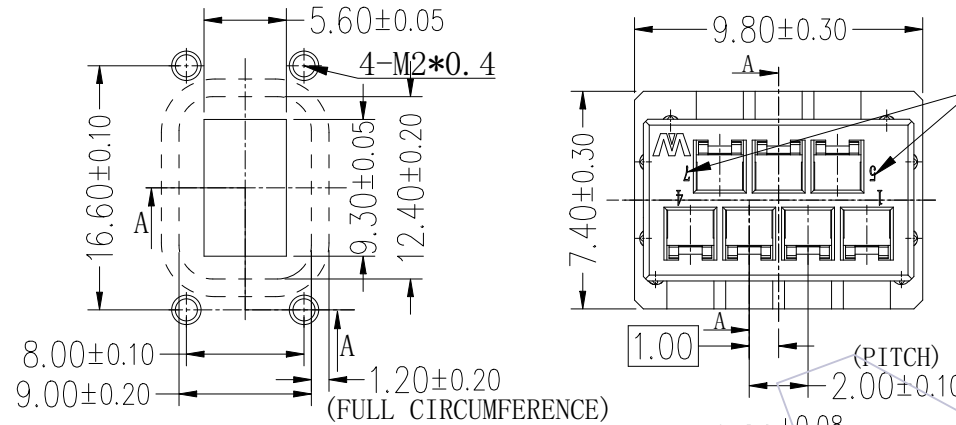


HSF

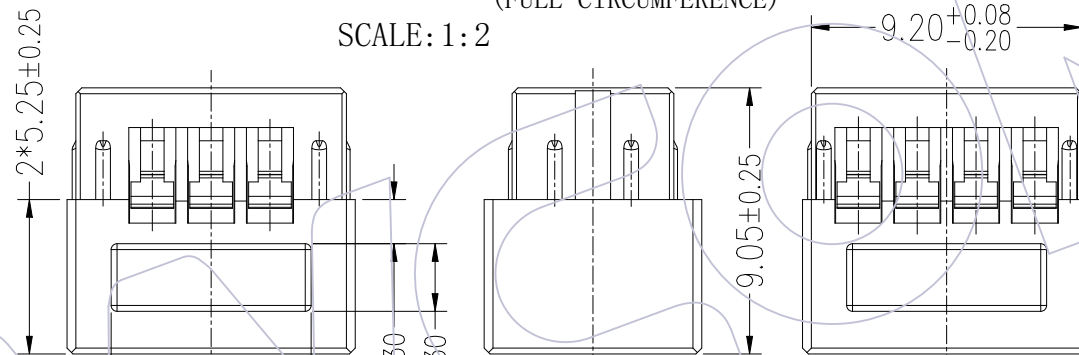
NOTES:

1. RATED CURRENT: 1A MAX (PER 1 POS)
Rating Voltage : 100VAC
2. Contact Resistance: 30mΩ Max.
3. Withstand Voltage: 500VAC;
4. Insulation Resistance: 100MΩ MIN
5. Operation Temperature: -40°C - 125°C
6. Plastic Material: PBT, BLACK
7. HOUSING ARE SOLD SEPARATELY
8. APPLICABLE CRIMP PIN CONTACT

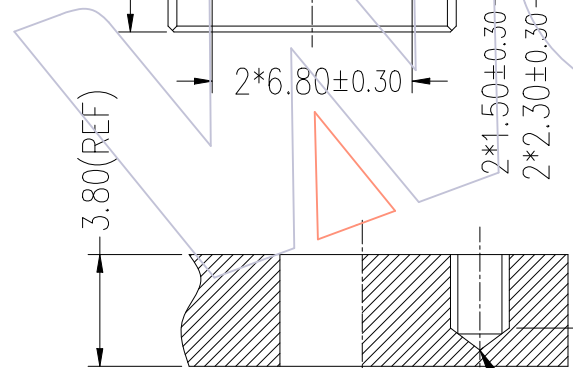
APPLICABLE CONTACT PART NO	APPLICABLE WIRE	INSULATION OUTER DIAMETER
M006E-FTPG001	(24-22AWG)	φ0.8-φ1.0
M006E-FTPG002	(28-26AWG)	φ0.7-φ1.0



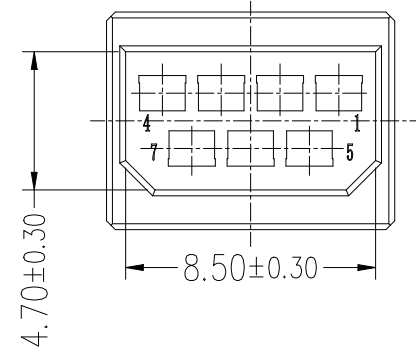
SCALE: 1:2



3.80(REF)



SECTION: B-B
SCALE: 1:1



Riveting Wire Terminal Assembly Drawing

REV	DATE	MODIFICATION DESCRIPTION	CHANGE	OPERATION	DRAW	DATE	SCALE	FIT	PART NO.
0	2023/03/20	NEW		X.X ±0.40	shi chun	2023. 03. 20	UNIT	mm	GMJE06E-2007A02 (W)
				X.XX ±0.25	CHECK	DATE	inch	TITLE:	
				X.XXX ±0.15	APPROVE	DATE	SHEET	1/2	2.0mm Servo Motor 06 Series Encorder Rec, 7P Plastic Body
				Angle ± 3°			PROJ.	⌀	Customer NO. --
				DIM TOL					

WCON
Http: www.wcon.com

WCON-Dongguan
Tel: +86 769 85358920
Fax: +86 769 85358915
E-mail: sales@wcon.com

WCON-Kunshan
Tel: +86 512 57468408
Fax: +86 512 57468468
E-mail: salesks@wcon.com