

# HSF

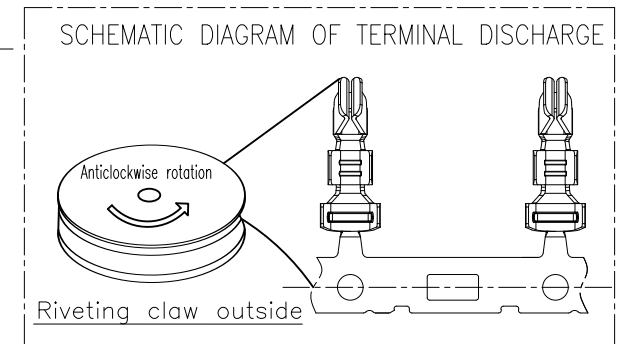
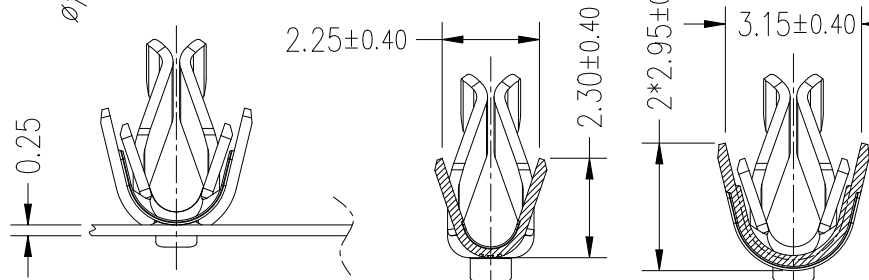
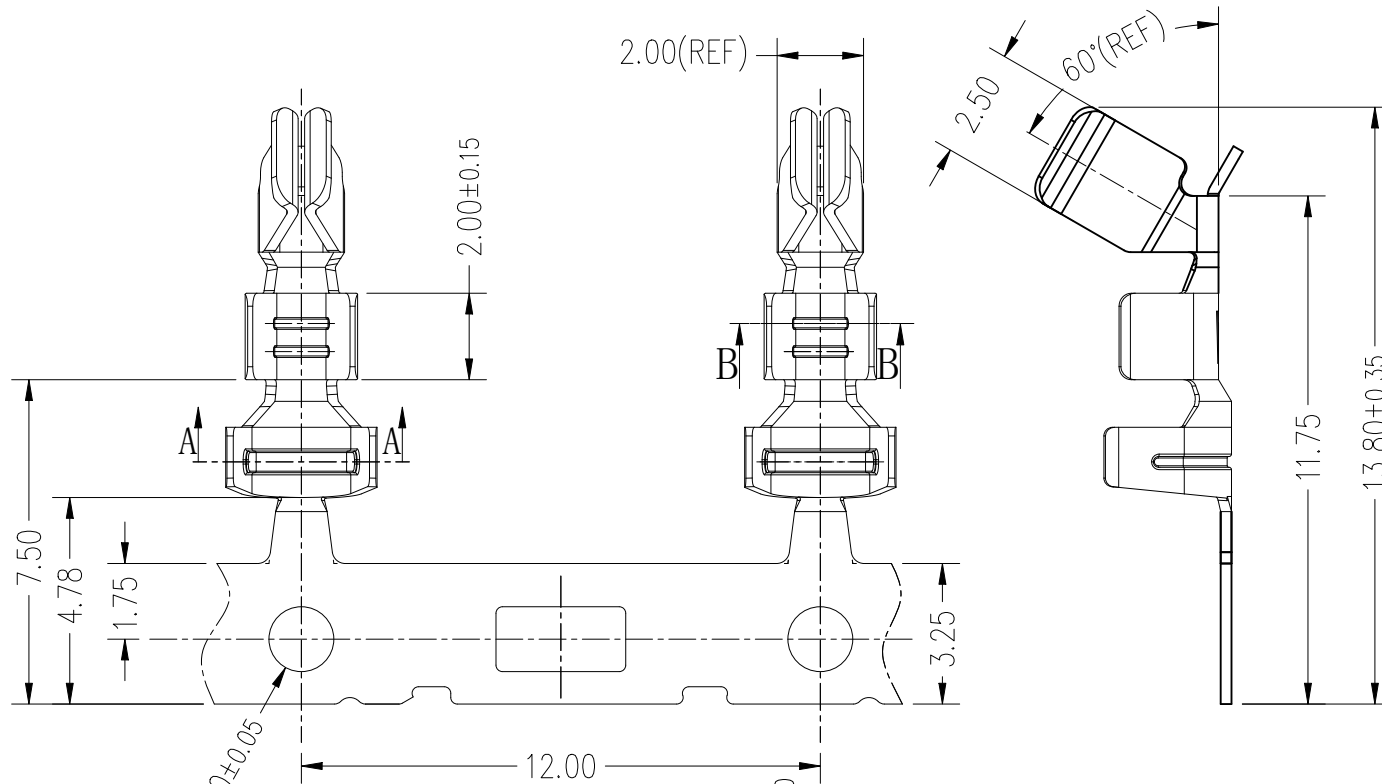
**NOTES:**

1. Current Rating: 7.0A Max  
(per pos) AT 20°C;
2. Contact Resistance: 30mΩ Max;
3. Operating Temperature:  
-40°C to +125°C;
4. Contact Material: Copper Alloy;
5. Contact plating:  
GX: xxμ" Gold on contact area  
(See ordering information),  
40μ" Nickel underplating overall
6. APPLICABLE WIRE: WIRE SIZE:  
AWG#18~#20, INSULATION OUTER  
DIAMETER: φ1.3~1.8MM;

**Ordering Information**

MJE06P - F T C GX 01

- F=SOCKET
- Terminal
- Material:  
C=C7025
- Contact Plating:  
G0=Gold FLASH  
G1=Au: 3u"(contact area)  
G3=Au: 10u"(contact area)  
G4=Au: 15u"(contact area)  
G5=Au: 30u"(contact area)



REV	DATE	MODIFICATION DESCRIPTION	CHANGE	OPERATION	DRAW	DATE	SCALE	FIT	PART NO.
0	2023/03/20	NEW		X.X ±0.40	shi chun	2023. 03. 20	UNIT mm	A4	MJE06P-FTCGX01
				X.XX ±0.25	CHECK	DATE	SIZE	1/2	TITLE: 3.0mm Servo Moter 06 Series Power, Crimp Terminal plug
				X.XXX ±0.15	APPROVE	DATE	SHEET	PROJ.	Customer NO. ---
				Angle ± 3°					
				DIM TOL					

**WCON**  
Http: www.wcon.com

WCON-Dongguan  
Tel: +86 769 85358920  
Fax: +86 769 85358915  
E-mail: sales@wcon.com

WCON-Kunshan  
Tel: +86 512 57468408  
Fax: +86 512 57468468  
E-mail: salesks@wcon.com