

HSF

MJE06P-30 04 XX OX W

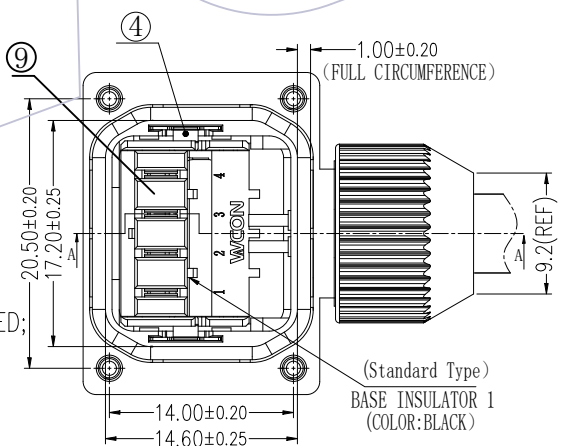
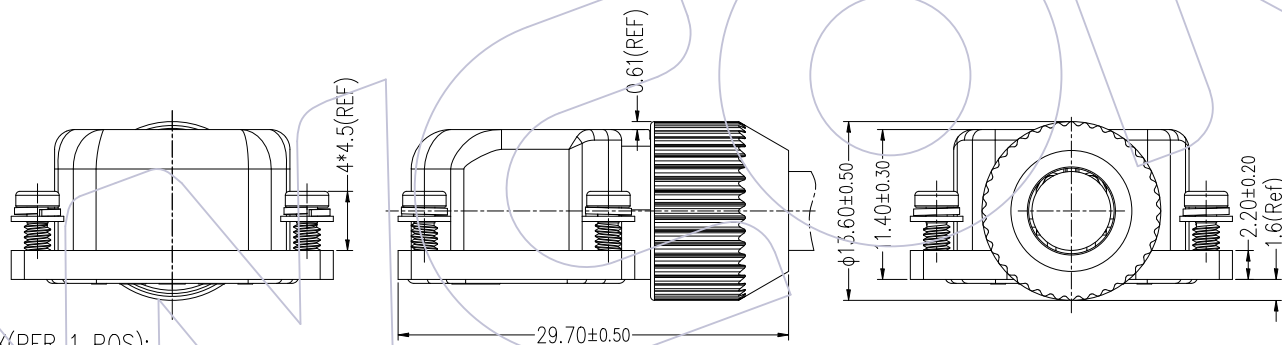
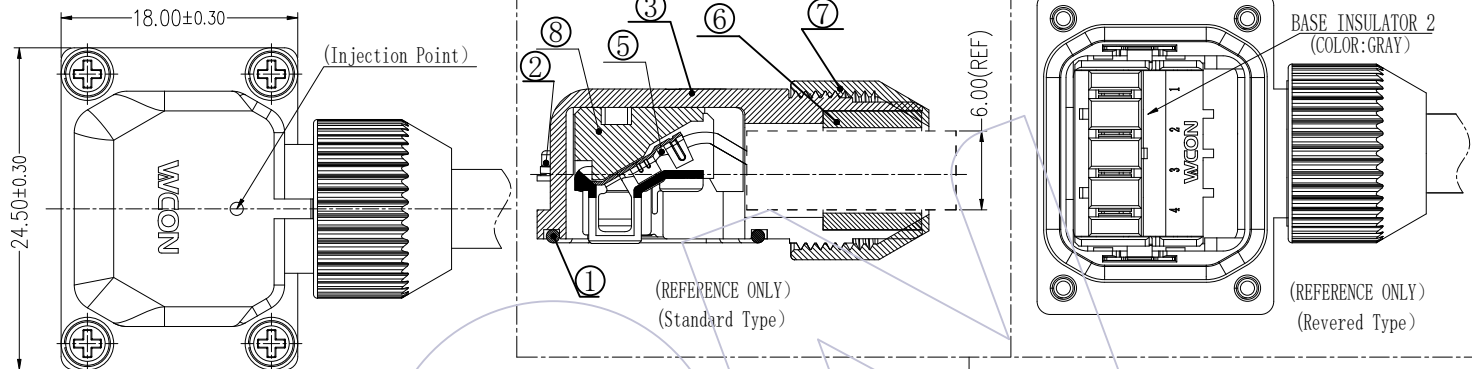
P=Power
30=PITCH:3.0
04=4pin

W=With:LOGO
Blank=Without:LOGO
02:Standard Type
03:Revered Type

WIRE:
18=18-20AWG

SPECIFICATION:

1. RATED CURRENT: 7A MAX (PER 1 POS);
2. VOLTAGE RATING: 200V AC (RMS);
3. CONTACT RESISTANCE: 30MΩ MAX;
4. WITHSTAND VOLTAGE: 1500V AC;
5. INSULATION RESISTANCE: 1000MΩ MIN (AT 500VDC);
6. OPERATION TEMPERATURE: -40°C TO +125°C;
7. APPLICABLE WIRE:
WIRE SIZE: AWG#18~#20
INSULATION OUTER DIAMETER: $\phi 1.3 \sim 1.8$ MM;
FINISH OUTER DIAMETER: $\phi 5.5 \sim 6.5$ MM;
8. SCREWS AND GASKET SHALL NOT BE EASILY REMOVED;
9. ALL MATERIALS SHOULD BE COMPLIANT TO ROHS;
10. WATERPROOF: IP67 (WHEN MATED);
11. MATE WITH CONNECTOR: MJE06P-3004RXX01(W)



9	塑胶上盖 (SOCKET Loam Cake)	1	PBT	BLACK/GRAY
8	塑胶主体 (SOCKET INSULATOR)	1	PBT	BLACK
7	塑胶螺帽 (GLAND NUT)	1	PA66	BLACK
6	密封套管 (BUSHING)	1	SILICONE RUBBER	BLACK
5	母端子 (SOCKET CONTACT)	4	COPPER ALLOY	GOLD PLATING
4	固定弹片 (SPRING)	2	STAINLESS STEEL	
3	外壳 (HOOD)	1	PA66	BLACK
2	M2螺丝 (SCREW)	4	STEEL	ZINC PLATING
1	防水圈 (GASKET)	1	SILICONE RUBBER	BLACK
NO	DESCRIPTION	QTY	MATERIAL	REMARKS

		OPERATION		DRAW		DATE		SCALE		FIT		PART NO.		<div style="text-align: center;"> <h2>WCON</h2> <p>Http: www.wcon.com</p> <p>WCON-Dongguan Tel: +86 769 85358920 Fax: +86 769 85358915 E-mail: sales@wcon.com</p> <p>WCON-Kunshan Tel: +86 512 57468408 Fax: +86 512 57468468 E-mail: salesks@wcon.com</p> </div>	
		±0.40		shi chun		2023. 03. 20		UNIT		mm		MJE06P-3004XXOX (W)			
		±0.25		CHECK		DATE		SIZE		A4		TITLE:			
0		2023/03/20		NEW				SHEET		1/1		3.0mm Servo Moter 06 Series Power Plug, 4P HOOD Assembly			
REV	DATE	MODIFICATION DESCRIPTION		CHANGE	Angle	± 3°	APPROVE	DATE	PROJ.	Customer NO. ---					
					DIM	TOL									