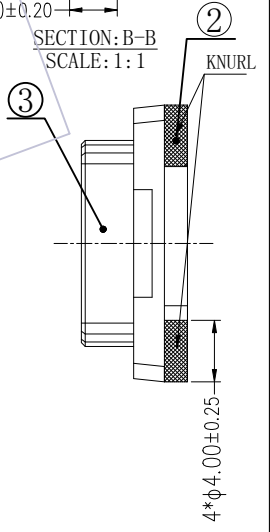
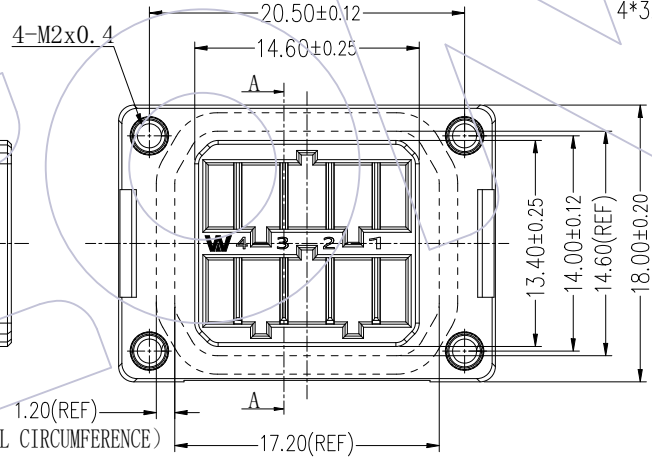
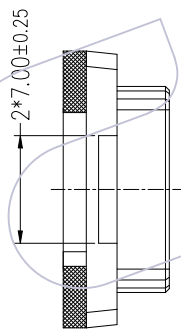
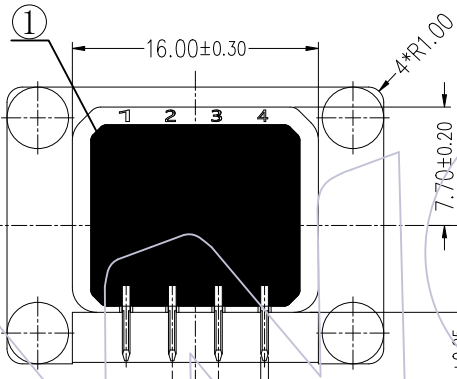
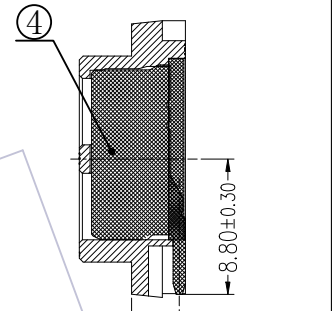
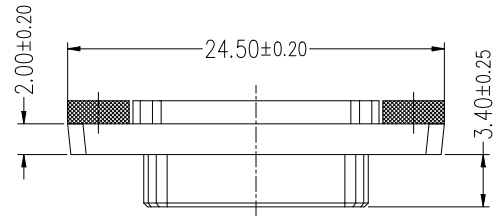
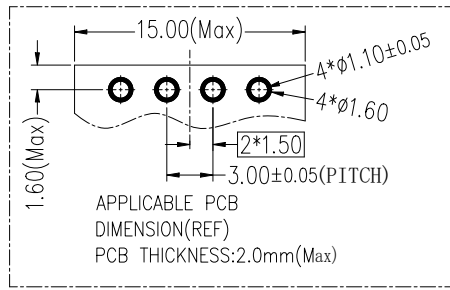


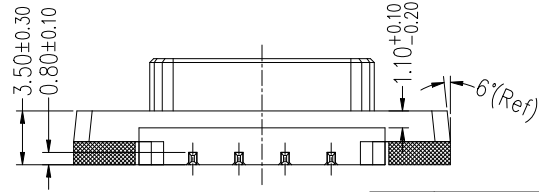
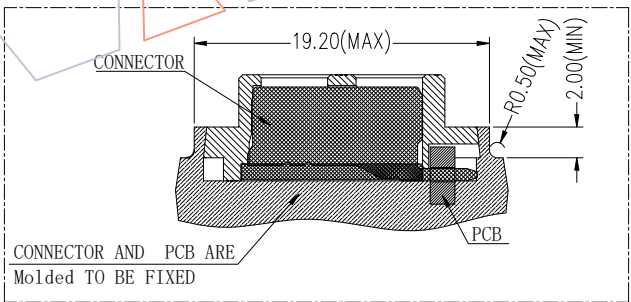
HSF

SPECIFICATION:

1. RATED CURRENT: 7A MAX(PER CONTACT);
2. VOLTAGE RATING: 200V AC(RMS) ;
3. CONTACT RESISTANCE:
INITIAL: 20MΩ MAX. FINAL: 30MΩ MAX;
4. WITHSTAND VOLTAGE: 1500V AC(FOR 1 MINUTE);
5. INSULATION RESISTANCE: 1000MΩ MIN (AT 500VDC)
6. OPERATION TEMPERATURE: -40°C TO +125°C;
7. CONTACT MATERIAL: COPPER ALLOY;
8. INSULATOR MATERIAL: PPS, UL94V-0 ;
9. RECOMMENDED PROCESS:
WAVE SOLDER, PEAK TEMPERATURE: 260±5°C, 5S.
10. NUT MATERIAL: COPPER ALLOY;
11. ALL MATERIALS SHOULD BE COMPLIANT TO ROHS
12. WATERPROOF: IP67(WHEN MATED);



MJE06 P-30 04 R XX 01 W
 P=Power W=With: LOGO
 30=PITCH: 3.0 Blank=Without LOGO
 4=4pin CONNECT PLATING
 R=R/A G0=1u"
 G1=3u"
 G2=5u"
 G4=10u"
 G4=15u"



4	TERMINAL	4	C2680	GOLD PLATING
3	HOUSING	1	PPS	BLACK
2	M2螺母(NUT)	4	COPPER ALLOY	ZINC PLATING
1	GLUE	1	GLUE	
NO	DESCRIPTION	QTY	MATERIAL	REMARKS

OPERATION	DRAW	DATE	SCALE	FIT	PART NO.
X.X ±0.40	shi chun	2023. 03. 20	UNIT	mm	MJE06P-3004RXX01 (W)
X.XX ±0.25	CHECK	DATE	SIZE	inch	TITLE:
X.XXX ±0.15	APPROVE	DATE	SHEET	A4	3.0mm Servo Moter 06 Series
Angle ± 3°			PROJ.	1/1	Power, 4P plate end socket
DIM TOL					Customer NO. ---

WCON
 Http: www.wcon.com

WCON-Dongguan
 Tel: +86 769 85358920
 Fax: +86 769 85358915
 E-mail: sales@wcon.com

WCON-Kunshan
 Tel: +86 512 57468408
 Fax: +86 512 57468468
 E-mail: salesks@wcon.com

REV	DATE	MODIFICATION DESCRIPTION	CHANGE	OPERATION	DRAW	DATE	SCALE	FIT	PART NO.	<p>0 2023/03/20 NEW</p>	
-----	------	--------------------------	--------	-----------	------	------	-------	-----	----------	-------------------------	--