

# HSF

**NOTES:**

Rated Current: 3.0A at 75°C  
 Rated Voltage: 125V  
 Contact Resistance: 20mΩ Max.  
 Withstand Voltage: 500V  
 Insulation Resistance: 1000MΩ Min.  
 Operation Temperature: -40°C to +125°C  
 Housing Material: PA66,G.F,UL94V-0,Colour(See PN)  
 Cover Material: PBT,GF,UL94V-0,Colour: GRAY

## Ordering Information

WF2012 - 1 H XX X 0 1

Row  
1=Single

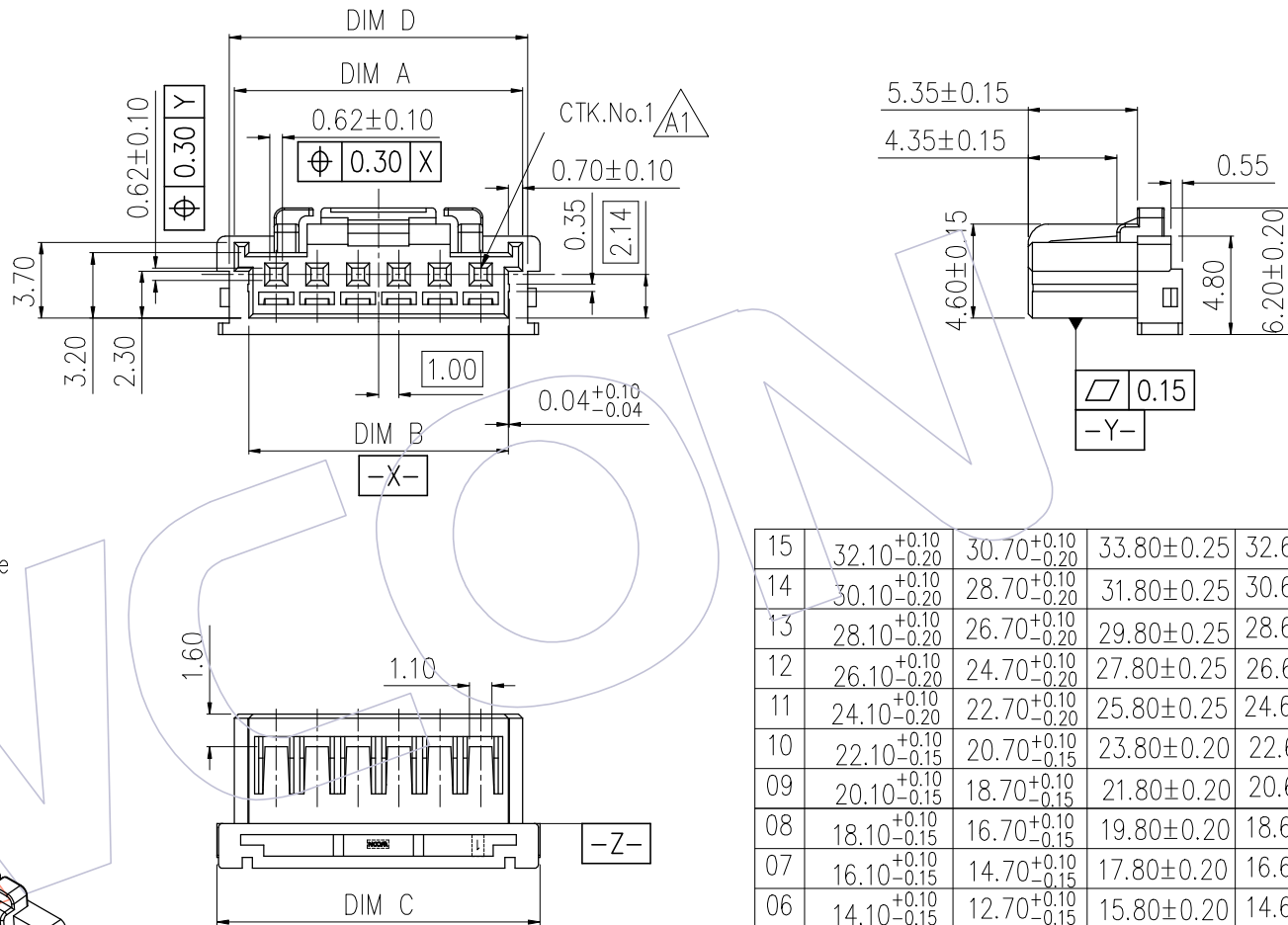
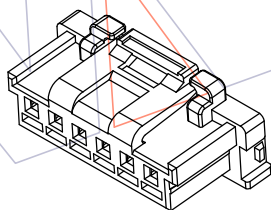
Internal code

Packing  
0=Bag

HSG material characteristics  
H=High temperature resistance

NO.of PIN  
02=2 Pin  
.....  
15=15 Pin

HSG Colour  
B=Black  
T=Natural



15	32.10 <sup>+0.10</sup> / <sub>-0.20</sub>	30.70 <sup>+0.10</sup> / <sub>-0.20</sub>	33.80±0.25	32.60±0.20
14	30.10 <sup>+0.10</sup> / <sub>-0.20</sub>	28.70 <sup>+0.10</sup> / <sub>-0.20</sub>	31.80±0.25	30.60±0.20
13	28.10 <sup>+0.10</sup> / <sub>-0.20</sub>	26.70 <sup>+0.10</sup> / <sub>-0.20</sub>	29.80±0.25	28.60±0.20
12	26.10 <sup>+0.10</sup> / <sub>-0.20</sub>	24.70 <sup>+0.10</sup> / <sub>-0.20</sub>	27.80±0.25	26.60±0.20
11	24.10 <sup>+0.10</sup> / <sub>-0.20</sub>	22.70 <sup>+0.10</sup> / <sub>-0.20</sub>	25.80±0.25	24.60±0.20
10	22.10 <sup>+0.10</sup> / <sub>-0.15</sub>	20.70 <sup>+0.10</sup> / <sub>-0.15</sub>	23.80±0.20	22.60±0.15
09	20.10 <sup>+0.10</sup> / <sub>-0.15</sub>	18.70 <sup>+0.10</sup> / <sub>-0.15</sub>	21.80±0.20	20.60±0.15
08	18.10 <sup>+0.10</sup> / <sub>-0.15</sub>	16.70 <sup>+0.10</sup> / <sub>-0.15</sub>	19.80±0.20	18.60±0.15
07	16.10 <sup>+0.10</sup> / <sub>-0.15</sub>	14.70 <sup>+0.10</sup> / <sub>-0.15</sub>	17.80±0.20	16.60±0.15
06	14.10 <sup>+0.10</sup> / <sub>-0.15</sub>	12.70 <sup>+0.10</sup> / <sub>-0.15</sub>	15.80±0.20	14.60±0.15
05	12.10±0.10	10.70±0.10	13.80±0.15	12.60±0.10
04	10.10±0.10	8.70±0.10	11.80±0.15	10.60±0.10
03	8.10±0.10	6.70±0.10	9.80±0.15	8.60±0.10
02	6.10±0.10	4.70±0.10	8.00±0.15	6.60±0.10
PIN	A	B	C	D

REV	DATE	MODIFICATION DESCRIPTION	CHANGE	OPERATION		DRAW PAN	DATE	SCALE	PART NO.
				x.x	±0.40				
A1	2022/04/11	Modify		x.xx	±0.25	CHECK	2022/04/11	1:1	WF2012-1HXXX01
A0	2019/02/20	NEW	Bruce	x.xxx	±0.15	APPROVE		mm	
				Angle	± 3°			A4	TITLE: 2.0mm HOUSING SINGLE CONNECTOR
				DIM	TOL			1/4	Customer NO.
								PROJ.	

# WCON

Http: www.wcon.com

WCON-Dongguan  
Tel: +86 769 85358920  
Fax: +86 769 85358915  
E-mail: sales@wcon.com

WCON-Kunshan  
Tel: +86 512 57468408  
Fax: +86 512 57468468  
E-mail: salesks@wcon.com