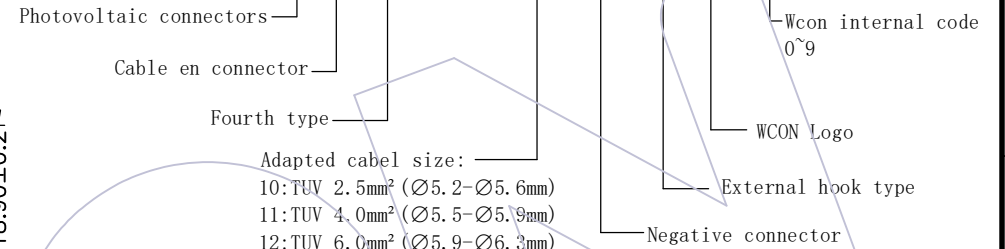


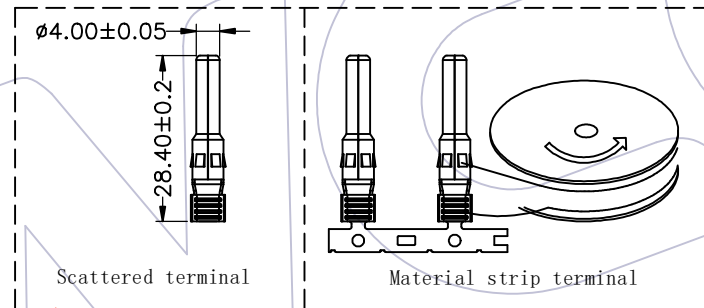
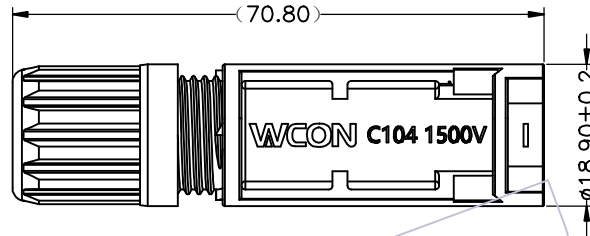
HSF

Ordering Information

C 1 04 - X X M A W 01



- Adapted cabel size:
- 10: TUV 2.5mm² (Ø5.2-Ø5.6mm)
 - 11: TUV 4.0mm² (Ø5.5-Ø5.9mm)
 - 12: TUV 6.0mm² (Ø5.9-Ø6.3mm)
 - 13: UL 14AWG (Ø5.5-Ø5.9mm)
 - 14: UL 12AWG (Ø6.0-Ø6.4mm)
 - 15: UL 10AWG (Ø6.6-Ø7.0mm)
 - 16: TUV 2.5mm² & UL14AWG (Ø5.7-Ø6.1mm)
 - 17: TUV 4.0mm² & UL12AWG (Ø6.25-Ø6.65mm)
 - 18: TUV 6.0mm² & UL10AWG (Ø6.7-Ø7.1mm)



Provide scattered terminal and strip terminal for selection

OPERATION		DRAW John	DATE 2023/11/03	SCALE UNIT	FIT mm	PART NO. C104-XXMAW01
x.X	±0.40					
CHECK		DATE	DATE	SIZE A4	SHEET 1/4	TITLE: Photovoltaic Negative Electrode Connector
x.XX	±0.25					
APPROVE		DATE	DATE	PROJ.	Customer NO.	Customer NO.
x.XXX	±0.15					
Angle	± 3'					
DIM	TOL					

AO	2023/11/03	NEW	John
REV	DATE	MODIFICATION DESCRIPTION	CHANGE



WCON-Dongguan Tel: +86 769 85358920 Fax: +86 769 85358915 E-mail: sales@wcon.com
 WCON-Kunshan Tel: +86 512 57468408 Fax: +86 512 57468468 E-mail: salesks@wcon.com