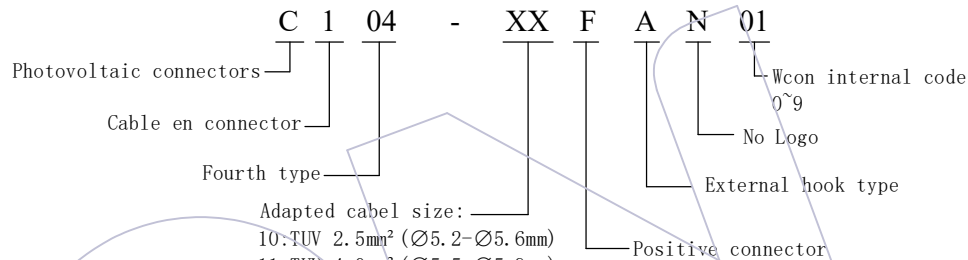
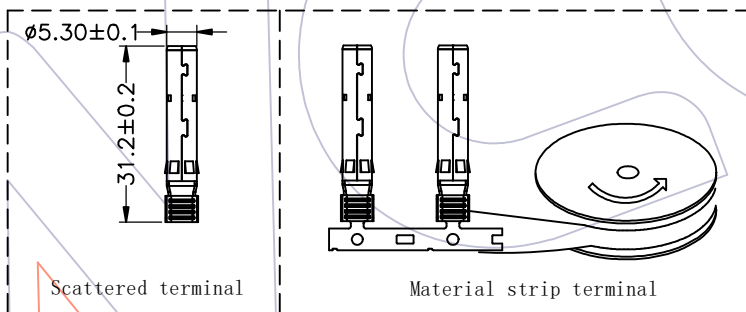
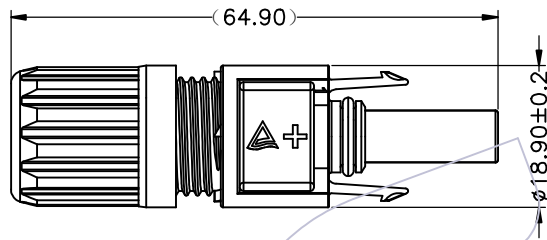


HSF

Ordering Information



- Adapted cable size:
- 10: TUV 2.5mm² (Ø5.2-Ø5.6mm)
 - 11: TUV 4.0mm² (Ø5.5-Ø5.9mm)
 - 12: TUV 6.0mm² (Ø5.9-Ø6.3mm)
 - 13: UL 14AWG (Ø5.5-Ø5.9mm)
 - 14: UL 12AWG (Ø6.0-Ø6.4mm)
 - 15: UL 10AWG (Ø6.6-Ø7.0mm)
 - 16: TUV 2.5mm² & UL14AWG (Ø5.7-Ø6.1mm)
 - 17: TUV 4.0mm² & UL12AWG (Ø6.25-Ø6.65mm)
 - 18: TUV 6.0mm² & UL10AWG (Ø6.7-Ø7.1mm)



Provide scattered terminal and strip terminal for selection

				OPERATION	DRAW	DATE	SCALE	FIT	PART NO.
				x.X ±0.40	John	2023/11/03	UNIT	mm	C104-XXFAN01
				x.XX ±0.25	CHECK	DATE	SIZE	A4	TITLE:
				x.XXX ±0.15	APPROVE	DATE	SHEET	1/4	Photovoltaic Positive Electrode Connector
AO	2023/11/03	NEW	John	Angle ± 3'			PROJ.	⌀	Customer NO.
REV	DATE	MODIFICATION DESCRIPTION	CHANGE	DIM TOL					



WCON-Dongguan	WCON-Kunshan
Tel: +86 769 85358920	Tel: +86 512 57468408
Fax: +86 769 85358915	Fax: +86 512 57468468
E-mail: sales@wcon.com	E-mail: salesks@wcon.com