

HSF

TECHNICAL SPECS:

Current Rating:1.0AMP
 Contact Resistance:10mΩ Max
 Dielectric Strength: Min 1000VRMS
 Mechanical Life: Min 100 cycles
 Connecting Pin:∅0.64mm
 Operation Temperature:-40°C to+105°C

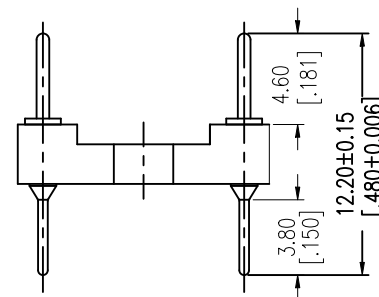
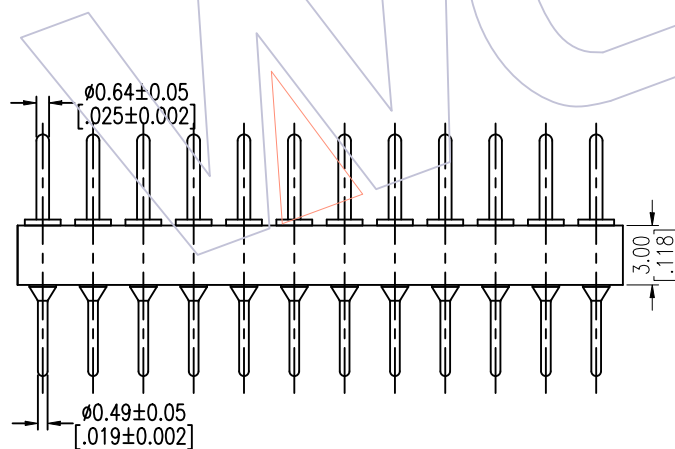
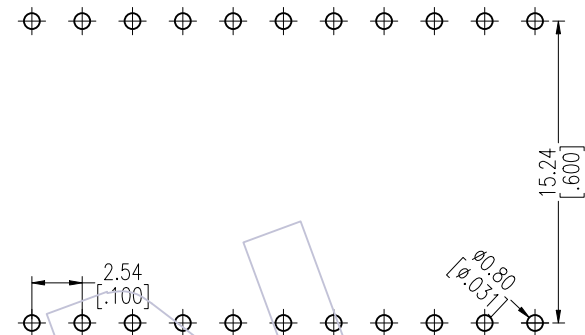
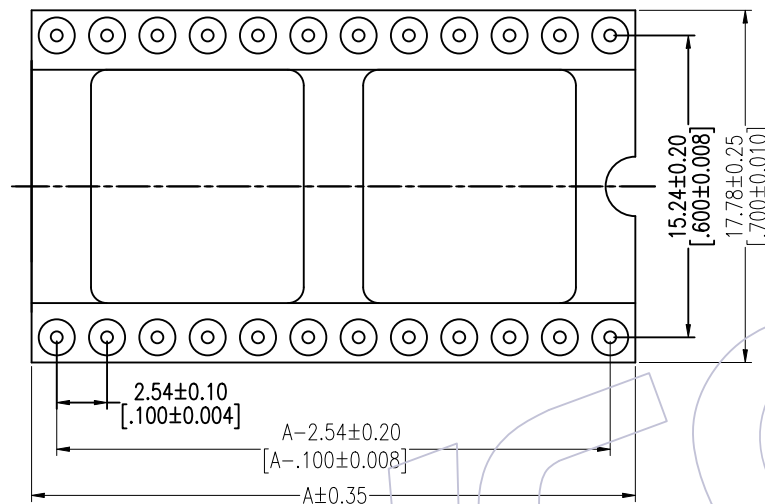
Contact:Brass CuZn36Pb3(C36000)
 Contact plating:Au over Ni
 Insulator Material:PPS+30%G.F(UL94V-0)
 24P~32P Insulators with center one bar
 36P~48P Insulators with center two bar

Ordering Information

3560-302 XX S XX 122 X 1

Row of Pitch 2=15.24mm	No. of Pin See tab	Contact Plating G0=Gold Flash G3=10u"Gold G4=15u"Gold G5=30u"Gold	Packing T=Tube A=Tray
---------------------------	-----------------------	---	-----------------------------

Recommended P.C.B Layout(Top Side)
 (PCB BOARD TOLERANCE±0.05)



Dimensional & Ordering Information

NO.of Poles	Part No.	Dim
		A
24	3560-30224SXX122X1	30.48
28	3560-30228SXX122X1	35.56
32	3560-30232SXX122X1	40.64
36	3560-30236SXX122X1	45.72
40	3560-30240SXX122X1	50.80
42	3560-30242SXX122X1	53.34
48	3560-30248SXX122X1	60.96
50	3560-30250SXX122X1	63.50
52	3560-30252SXX122X1	66.04

REV	DATE	MODIFICATION DESCRIPTION	CHANGE	OPERATION		DRAW	DATE	SCALE	FIT	PART NO.
				X.X	±0.40					
				X.XX	±0.25	CHECK	DATE	SIZE	A4	TITLE: 2.54mm MACHINED ADAPTER CONNECTOR 180° H=3.0 L=12.2 Row of Pitch 15.24
A0	2012/11/05	NEW	-----	X.XXX	±0.15	APPROVE	DATE	SHEET	1/1	Customer NO.
				Angle	± 3'			PROJ.		
				DIM	TOL					

WCON

Http: www.wcon.com

WCON-Dongguan Tel: +86 769 85358920 Fax: +86 769 85358915 E-mail: sales@wcon.com	WCON-Kunshan Tel: +86 512 57468408 Fax: +86 512 57468468 E-mail: salesks@wcon.com
---	--