

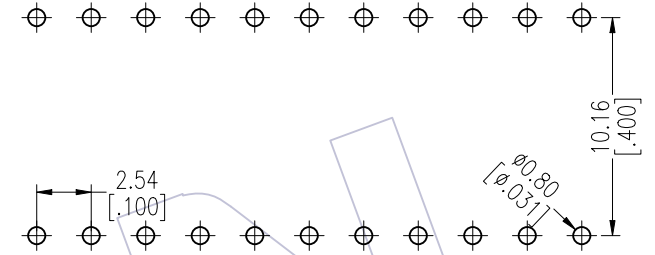
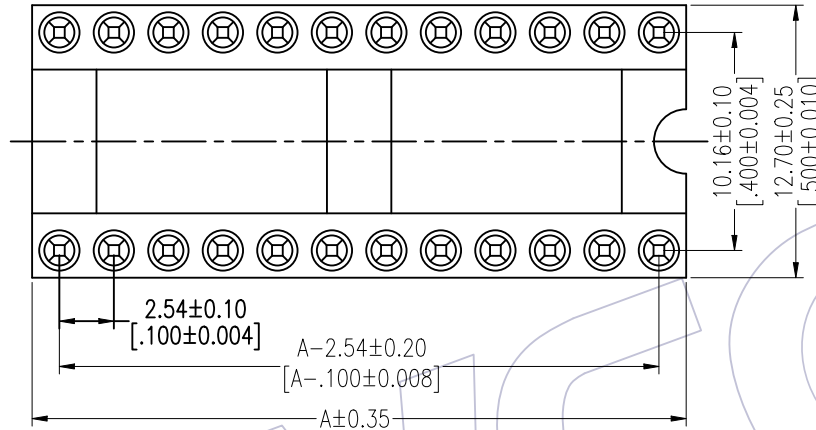
HSF

TECHNICAL SPECS:

Current Rating:1.0AMP
 Contact Resistance:10mΩ Max
 Dielectric Strength: Min 1000VRMS
 Mechanical Life: Min 100 cycles
 Mating Pin:∅0.40 to ∅0.56mm
 Forces: (polished steel gauge ∅0.43mm)
 Insertion:200g Max/Pin,Withdrawal:60g Min/Pin
 Operation Temperature:-40°C to +105°C

Sleeve:Brass CuZn36Pb3(C36000),Sn over Ni
 Contact Clip(4 finger):BeCu(C17200),Au or Sn over Ni
 Insulator Material:PPS+30%G.F(UL94V-0)

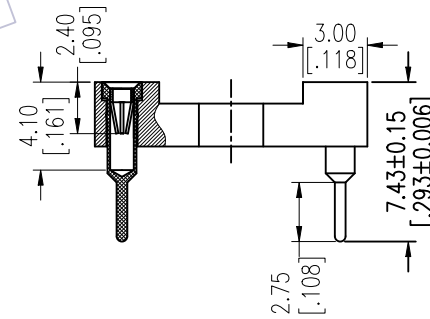
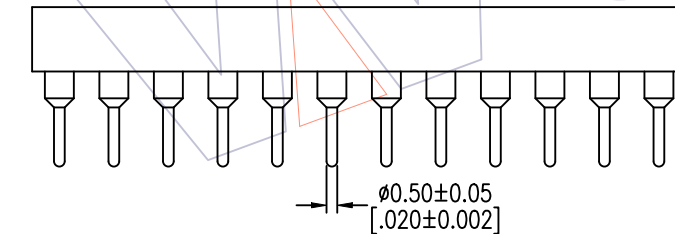
Recommended P.C.B Layout(Top Side)
 (PCB BOARD TOLERANCE±0.05)



Ordering Information

7110-303 XX S XX 074 X 1

Row of Pitch 3=10.16mm	No. of Pin See tab	Contact Plating S0=Gold Flash/Tin S3=10u"Gold/Tin S4=15u"Gold/Tin S5=30u"Gold/Tin SN=Tin	Packing T=Tube A=Tray
---------------------------	-----------------------	---	-----------------------------



Dimensional & Ordering Information

NO.of Poles	Part No.	Dim A
20	7110-30320SXX074X1	25.40
22	7110-30322SXX074X1	27.94
24	7110-30324SXX074X1	30.48
28	7110-30328SXX074X1	35.56
32	7110-30332SXX074X1	40.64

REV	DATE	MODIFICATION DESCRIPTION	CHANGE	OPERATION		DRAW	DATE	SCALE	FIT	PART NO.
				Angle	TOL					
A0	2012/11/02	NEW	-----	x.X	±0.40	JYHuang	2012/11/02	UNIT	mm	SEE TAB
				x.XX	±0.25	CHECK	DATE	SIZE	A4	TITLE:
				x.XXX	±0.15	APPROVE	DATE	SHEET	1/1	2.54mm IC SOCKET 180° H=3.0 L=7.43
				DIM	TOL			PROJ.	⌀	Row of Pitch 10.16

WCON

Http: www.wcon.com

WCON-Dongguan Tel: +86 769 85358920 Fax: +86 769 85358915 E-mail: sales@wcon.com	WCON-Kunshan Tel: +86 512 57468408 Fax: +86 512 57468468 E-mail: salesks@wcon.com
---	--