

HSF

- NOTES:
- 1.Current Rating: 15A Max;
 - 2.Contact Resistance: 10mΩ Max;
 - 3.Operating Temperature: -55°C to +105°C;
 - 4.Contact Material: Copper Alloy;
 - 5.Contact plating:
SN: 100μ" Tin over 50μ" Nickel.
SX: xxμ" Gold on contact area (See ordering information),
50μ" Nickel underplating overall;
 - 6.Wire Range: 16-14AWG;
 - 7.Insulation OD range: φ2.2-2.8mm;

Ordering Information

WD3810-MT D4 14 XX 01

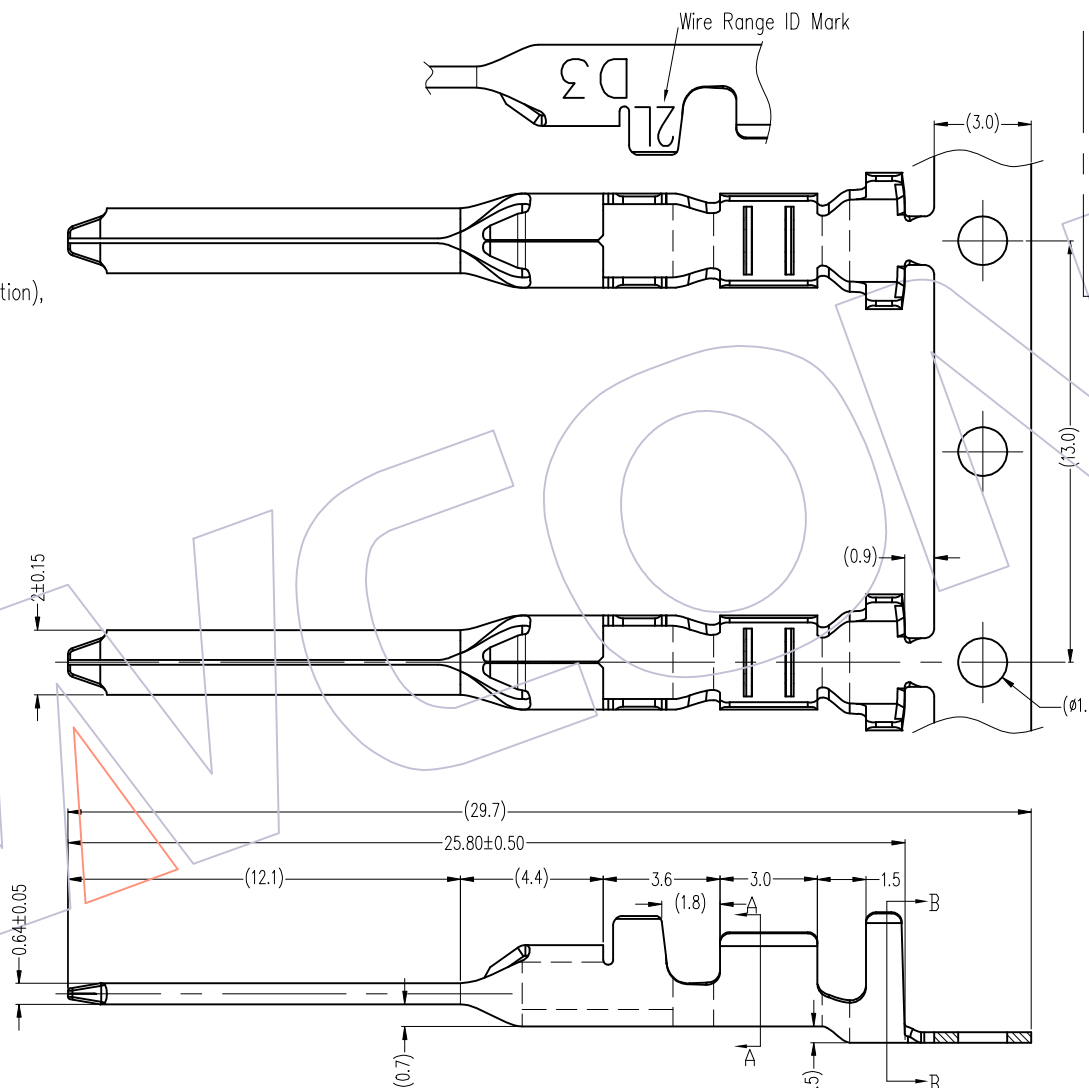
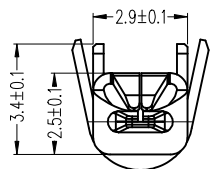
MT=Tab Contact

Material

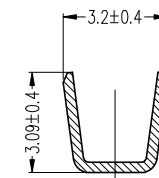
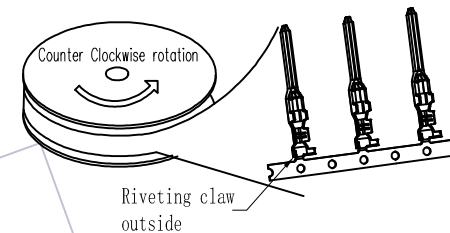
Wire Range:
14=16~14AWG

Contact Plated:
SN=TIN
S1=3u" Au/Ni
S4=15u" Au/Ni
S5=30u" Au/Ni

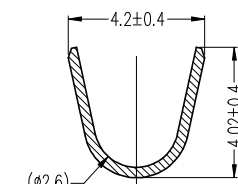
wcon Internal Code



SCHEMATIC DIAGRAM OF TERMINAL DISCHARGE



A-A



B-B

OPERATION		DRAW	DATE	SCALE	FIT
x.x	±0.30	Houfu Peng	2022.03.15	UNIT	mm
x.xx	±0.25	CHECK	DATE	SIZE	A4
x.xxx	±0.2	APPROVE	DATE	SHEET	1/1
Angle	± 3'			PROJ.	⌀
DIM	TOL				

PART NO.	WD3810-MTD414XX01
TITLE:	3.81mm Tab Contact (Wire Range ID Mark: 2L)
Customer NO.	

WCON

Http: www.wcon.com

WCON-Dongguan	WCON-Kunshan
Tel: +86 769 85358920	Tel: +86 512 57468408
Fax: +86 769 85358915	Fax: +86 512 57468468
E-mail: sales@wcon.com	E-mail: sales@wcon.com

A0	2022.03.15	NEW	Houfu Peng
REV	DATE	MODIFICATION DESCRIPTION	CHANGE