

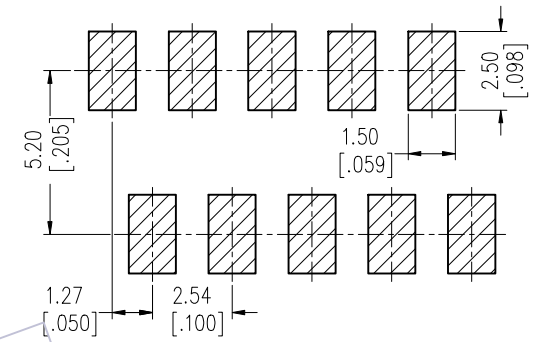
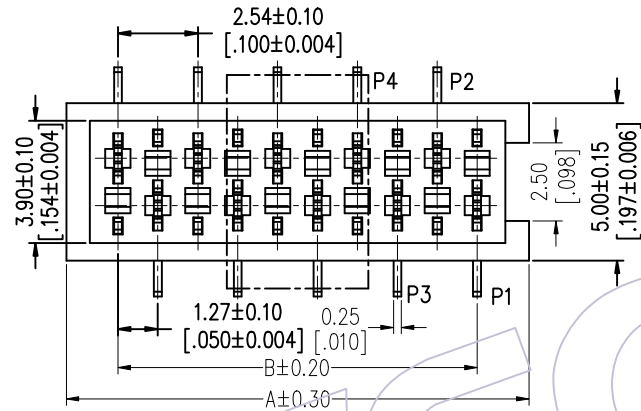
# HSF

**NOTES:**

Current Rating: 1.0AMP  
 Contact Resistance: 20mΩ Max  
 Withstand Voltage: 500V AC/DC  
 Insulation Resistance: 1000MΩ Min  
 Operation Temperature: -40°C to +105°C

Contact Material: Phosphor Bronze  
 Contact plating: Sn Over Ni  
 Insulator Material: PA46+30%G.F UL94V-0

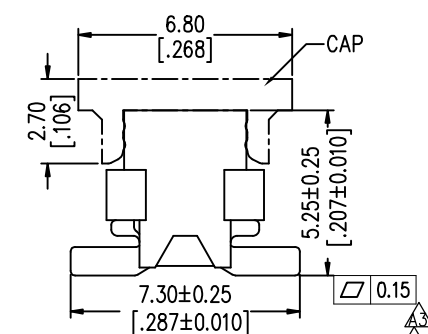
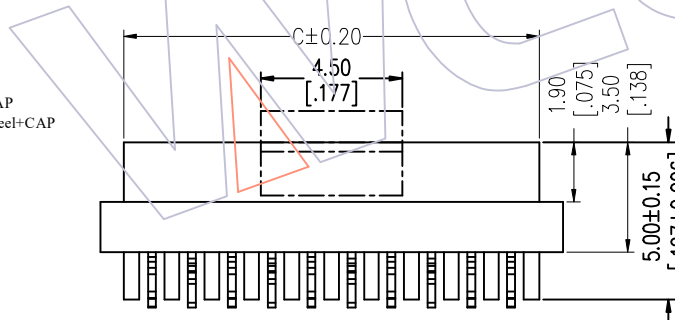
Recommended P.C.B Layout(Top Side)  
 (PCB BOARD TOLERANCE±0.05)



## Ordering Information

3900-XX FM SN E N X 01

- No. of Pins: 04P 12P, 06P 14P, 08P 16P, 10P 18P, 20P, 22P, 24P, 26P
- Contact Plating: SN=Tin
- Insulator Material: E=PA46
- Packing: T=Tube, P=Tube+CAP, R=Tape&Reel+CAP



Specification & Ordering Information:

Pin数	料号	尺寸		
		A	B	C
04	3900-04FMSNENX01	7.00	3.81	5.60
06	3900-06FMSNENX01	9.54	6.35	8.14
08	3900-08FMSNENX01	12.08	8.89	10.68
10	3900-10FMSNENX01	14.62	11.43	13.22
12	3900-12FMSNENX01	17.16	13.97	15.76
14	3900-14FMSNENX01	19.70	16.51	18.30
16	3900-16FMSNENX01	22.24	19.05	20.84
18	3900-18FMSNENX01	24.78	21.59	23.38
20	3900-20FMSNENX01	27.32	24.13	25.92
22	3900-22FMSNENX01	29.86	26.67	28.46
24	3900-24FMSNENX01	32.40	29.21	31.00
26	3900-26FMSNENX01	34.94	31.75	33.54

A3	2020/08/15	Add 22,24,26PIN	△3	DuYing	OPERATION	DRAW	DATE	SCALE	FIT	PART NO. SEE TAB
A2	2018/05/15	MINI MATCH--1.27mm MRC Connector	△2	Ding	x.x ±0.40	DuYing	2020/08/15	UNIT	mm	
A1	2014/05/28	MICRO MATCH--MINI MATCH	△1	-----	x.xx ±0.25	CHECK	DATE	SIZE	A4	TITLE: 1.27mm MRC Connector Socket △1 △2 180° SMT Without Latch
A0	2012/10/11	NEW	-----	-----	x.xxx ±0.15	APPROVE	DATE	SHEET	1/1	
REV	DATE	MODIFICATION DESCRIPTION	CHANGE		Angle ± 3°			PROJ.	Customer NO.	

**WCON**  
 Http: www.wcon.com

WCON-Dongguan Tel: +86 769 85358920 Fax: +86 769 85358915 E-mail: sales@wcon.com	WCON-Kunshan Tel: +86 512 57468408 Fax: +86 512 57468468 E-mail: salesks@wcon.com
---	--