

HSF

Recommended P. C. B Layout (Top Side)
(PCB BOARD TOLERANCE ± 0.05)

NOTES:
Current Rating:1.5AMP
Contact Resistance:20m Ω max
Withstand Voltage:500V AC/DC
Insulation Resistance:1000M Ω min
Operation Temperature:-40 $^{\circ}$ C to +105 $^{\circ}$ C

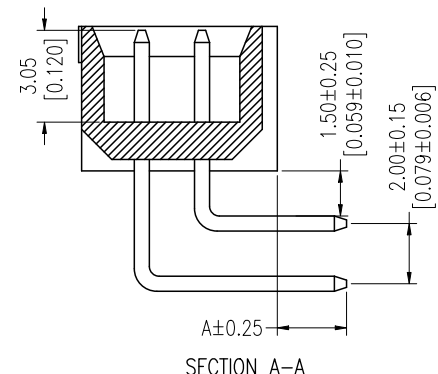
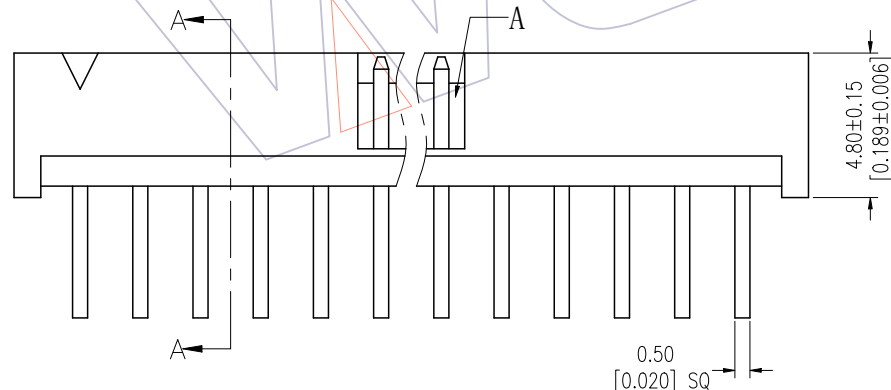
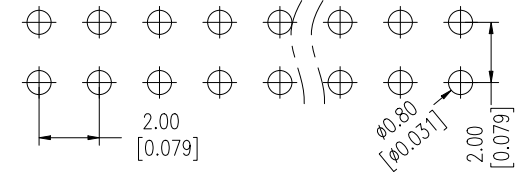
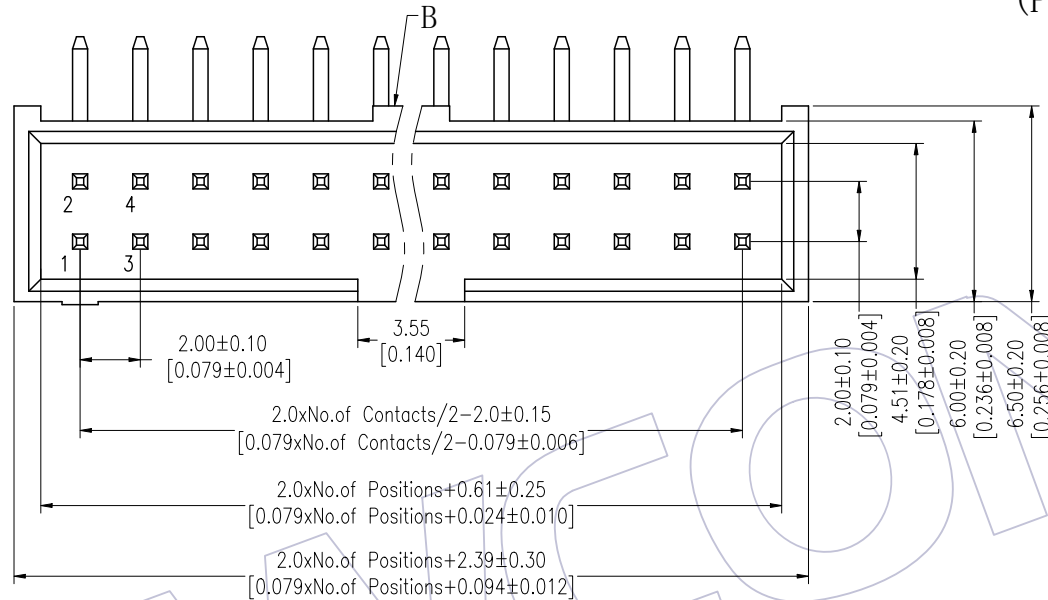
Contact Material:Brass
Contact plating:Au or Sn Over Ni
Insulator Material:LCP+30%GF(UL94V-0)

4P-6P Without "A" and "B"

Ordering Information

3124A-XX R XX B K00 X 1

No.of Pins	Contact Plating	Color Insulator	Packing
10 30	G0=Gold Flash	B=Black	T=Tube
14 34	G1=3u"Gold		
16 40	G2=5u"Gold		
20 44	G3=10u"Gold		
24 50	G4=15u"Gold		
26 60	G5=30u"Gold		
	S0=Gold Flash/Tin		
	S1=3u"Gold/Tin		
	S2=5u"Gold/Tin		
	S3=10u"Gold/Tin		
	S4=15u"Gold/Tin		
	S5=30u"Gold/Tin		
	SN=Tin		



Dimension antitheses		
ITEM	A	
Standard	2.30	
Alternate		

REV	DATE	MODIFICATION DESCRIPTION	CHANGE	OPERATION	DRAW	DATE	SCALE	FIT	PART NO.
A3	2015/04/02	MODIFY		OPERATION	Allen	2015/04/02	mm		3124A-XXRXXBK00X1
A2	2012/08/21	MODIFY 3124-XXRXXBS00X1 → 3124A-XXRXXBK00X1		±0.40	CHECK	DATE	inch		TITLE:
A1	2012/07/28	MODIFY 3124-XXRXXBK00X2 → 3124-XXRXXBS00X1		±0.25	APPROVE	DATE	A4		2.00 BOX HEADER 90° H=4.8
A0	2008/05/06	NEW		±0.15			1/1		"S" TYPE (SHORT TYPE)
				Angle ± 3'					Customer NO.
				DIM TOL					

WCON
Http: www.wcon.com

WCON-Dongguan WCON-Kunshan
Tel: +86 769 85358920 Tel: +86 512 57468408
Fax: +86 769 85358915 Fax: +86 512 57468468
E-mail: sales@wcon.com E-mail: salesks@wcon.com