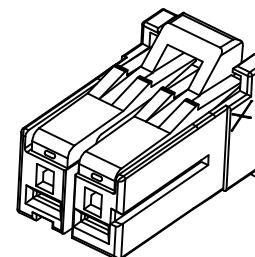
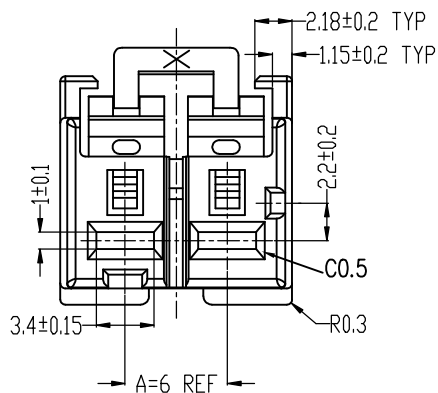


HSF

NOTES:

- 1.Voltage Rating:600V AC/DC;
- 2.Withstand Voltage: 2200V AC;
- 3.Insulation Resistance: 1000MΩ Min;
- 4.Operating Temperature: -55°C to +105°C;
- 5.Insulator Material: PBT,G.F,UL94V-0,BK;



Ordering Information

WD6000-1 H 02 B 0 01

1=Single Row

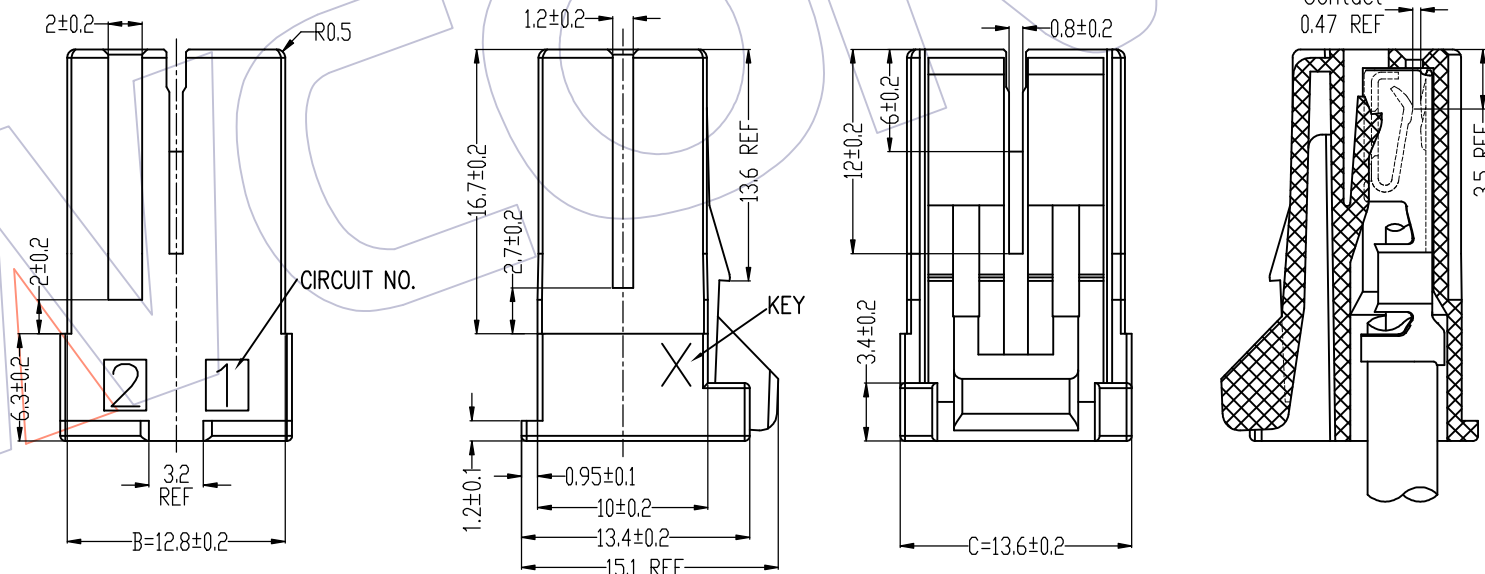
H=HOUSING


No.of Pins:
02=2P;

Color:
B=Black

PACKING:PE Bag

CODE OF KEYING
01=X;



				OPERATION	DRAW	DATE	SCALE	FIT	PART NO.	 Http: www.wcon.com WCON-Dongguan WCON-Kunshan Tel: +86 769 85358920 Tel: +86 512 57468408 Fax: +86 769 85358915 Fax: +86 512 57468468 E-mail: sales@wcon.com E-mail: salesks@wcon.com
				x.x	±0.40	Houfu Peng	UNIT	mm	WD6000-1H02B001	
				x.xx	±0.25	CHECK	SIZE	A4	TITLE: 6.0mm DYN. Type	
				x.xxx	±0.15	APPROVE	SHEET	1/1	Single Row Housing 2P(X-KEY)	
AO	2021.06.02	NEW		Angle	± 3'	DATE	PROJ.	◆	Customer NO.	
REV	DATE	MODIFICATION DESCRIPTION	CHANGE	DIM	TOL					