

NOTES:

- Material:
Housing: LCP, G.F, UL94V-0, BK
Contact/strip: Copper Alloy
- Contact Plating:
xxu"Gold on contact area(See Ordering Information)
100u"Matte tin on solder area,
50u" Nickel underlatina overall.
- Ground strip: 100u"Matte tin over 50u" Nickel.
- Rated Current: 12.0A Max
- Contact Resistance: 10mΩ max
- Withstand Voltage: 2200V AC
- Insulation Resistance: 1000MΩ min
- Operation Temperature: -55°C to +105°C
- Soldering: Solder temperature: 260±5°C
Solder time: 5±1S

Ordering Information

WD5085-2 WS XX XX B A XX W

2=Dual Row
WS=180°DIP

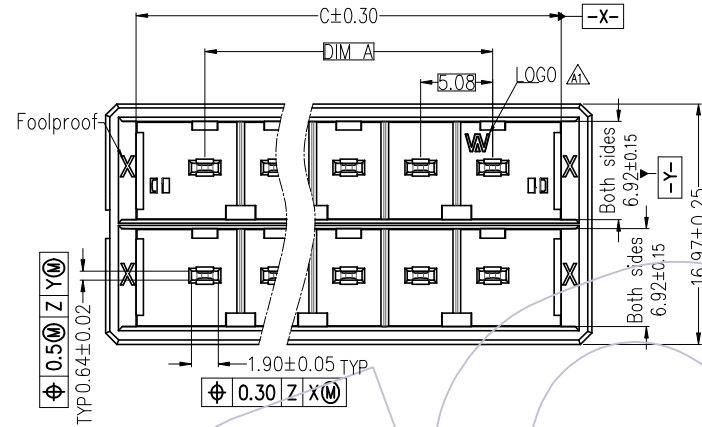
No. of pins per row:
03=3P
05=5P
06=6P

Contact Plated:
SM=Matte Tin
W1=3u"Gold/Matte Tin
W4=15u"Gold/Matte Tin
W5=30u"Gold/Matte Tin

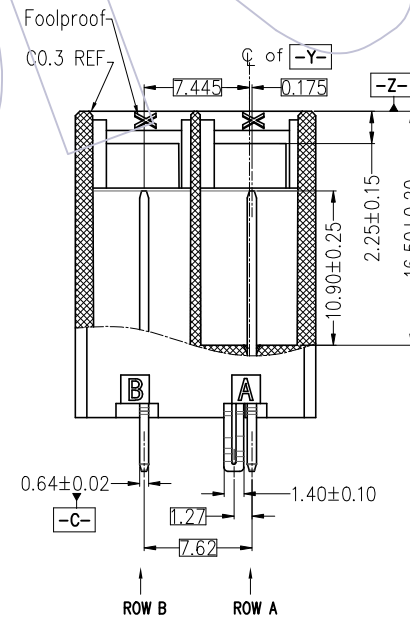
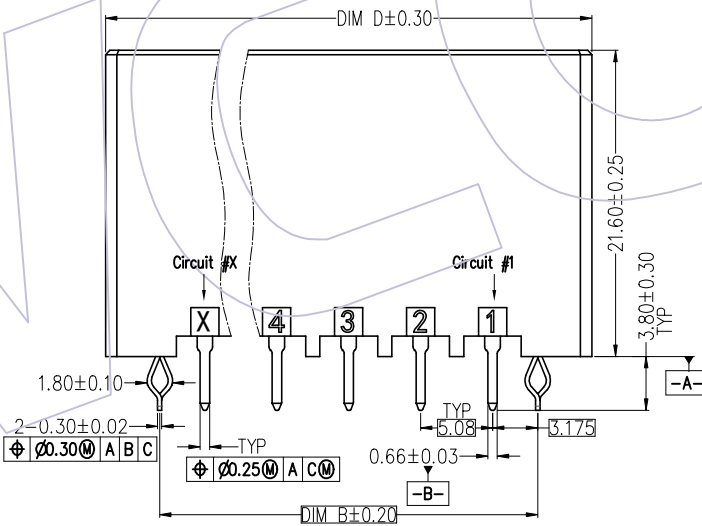
W=W/T W Logo
Blank=W/O W Logo

Foolproof
04=XX Code
05=YY Code
06=XY Code
07=YX Code
08=ZX Code
09=ZZ Code

A=Tray
Housing Color
B=Black



Pin	A	B	C	D
2*3	10.16	16.51	19.97	24.16
2*5	20.32	26.67	30.13	34.32
2*6	25.40	31.75	35.21	39.40



REV	DATE	MODIFICATION DESCRIPTION	CHANGE	OPERATION		DRAW	DATE	SCALE	FIT	PART NO.
				x.x	±0.40					
A1	2022/06/23	"WCON" → "W", Cancel W2,W3,Add W1	XSR	x.xx	±0.25	CHECK	DATE	SIZE	A4	WD5085-2WSXXXXBAXX(W)
A0	2021/06/18	NEW	XSR	x.xxx	±0.15	APPROVE	DATE	SHEET	1/3	TITLE: 5.08*7.62mm Dyn. (T Type) Dual Row 180°DIP with Ground strip
				Angle	± 3'			PROJ.	Φ	Customer NO.
				DIM	TOL					

WCON
Http: www.wcon.com

WCON-Dongguan Tel: +86 769 85358920 Fax: +86 769 85358915 E-mail: sales@wcon.com	WCON-Kunshan Tel: +86 512 57468408 Fax: +86 512 57468468 E-mail: sales@wcon.com
---	--