

# HSF

NOTES:  
 Rated Voltage: 600V.  
 Withstand Voltage: 2200V AC  
 Insulation Resistance: 1000MΩ Min.  
 Operation Temperature: -55°C to +105°C  
 Material: PBT+G.F. UL94V-0, Black  
 Mating Terminal: WD3810-3TD3XXXXXX

## Ordering Information

WD5085 -2 H XX B O XX X

Row: \_\_\_\_\_  
 2=Dual

Receptacle Housing

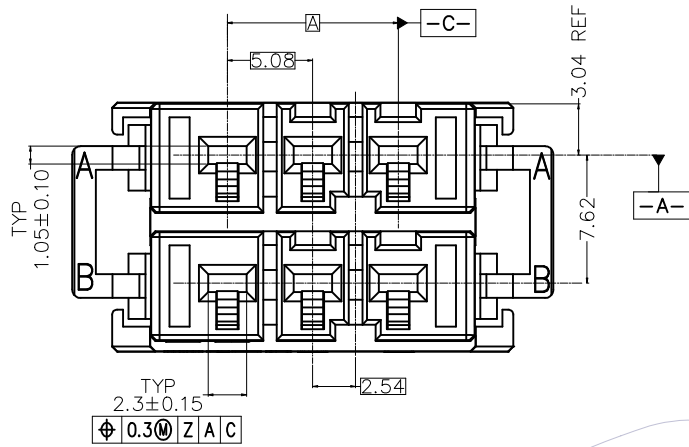
No of Pins Per Row:  
 03=3Pin; 05=5Pin;  
 06=6Pin; 10=10Pin

Housing Color:  
 B=Black

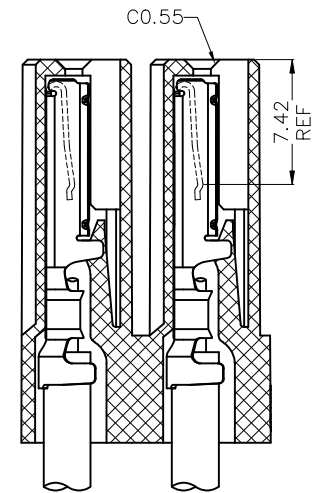
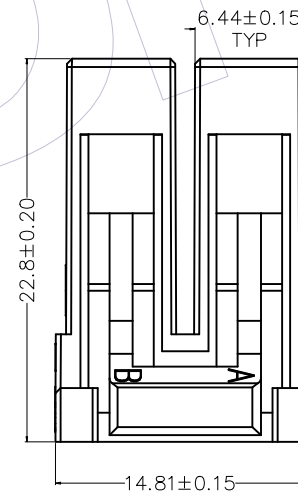
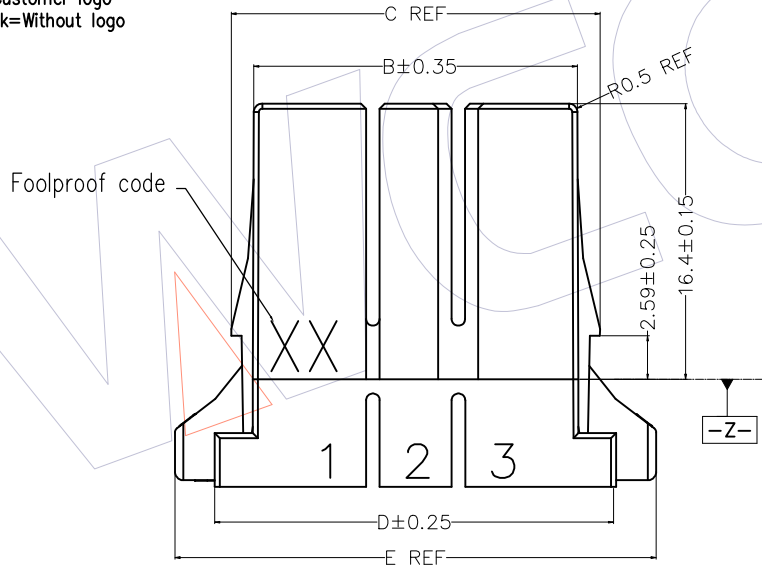
Foolproof Type:  
 04=XX  
 05=YY  
 06=XY

Packing:  
 0=PE Bag

W="Wcon" logo  
 M=Customer logo  
 Blank=Without logo



Pin	A	B	C	D	E	Foolproof code	Part NO.
2*3	10.16	19.24	21.91	23.86	28.61	XX	WD5085-2H03B004X
						YY	WD5085-2H03B005X
						XY	WD5085-2H03B006X
2*5	20.32	29.40	32.07	34.02	38.77	XX	WD5085-2H05B004X
						YY	WD5085-2H05B005X
						XY	WD5085-2H05B006X
2*6	25.40	34.48	37.15	39.10	43.85	XX	WD5085-2H06B004X
						YY	WD5085-2H06B005X
						XY	WD5085-2H06B006X
2*10	45.72	54.80	57.47	59.42	64.17	XX	WD5085-2H10B004X



Terminal diagram

REV	DATE	MODIFICATION DESCRIPTION	CHANGE	OPERATION	DRAW	DATE	SCALE	Fit	PART NO.
A0	2021.06.23	NEW	OHJ	x.x ±0.40	OHJ	2021.06.23	UNIT	mm	WD5085-2HXXB0XXX
				x.xx ±0.25	CHECK	DATE	SIZE	A4	TITLE:
				x.xxx ±0.15	APPROVE	DATE	SHEET	1/2	5.08mm*7.62mm Dyn. Housing
				Angle ± 3°			PROJ.	⌀	(T Type), Dual Row
				DIM TOL					Customer NO.

# WCON

Http: www.wcon.com

WCON-Dongguan  
 Tel: +86 769 85358920  
 Fax: +86 769 85358915  
 E-mail: sales@wcon.com

WCON-Kunshan  
 Tel: +86 512 57468408  
 Fax: +86 512 57468468  
 E-mail: salesks@wcon.com