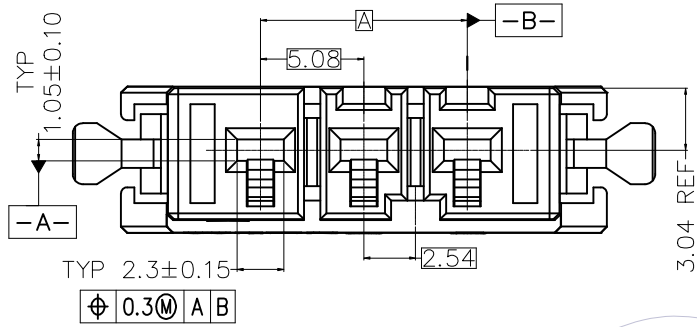


HSF

NOTES:
 Rated Voltage: 600V.
 Withstand Voltage: 2200V AC
 Insulation Resistance: 1000MΩ Min.
 Operation Temperature: -55°C to +105°C
 Material: PBT+G.F. UL94V-0, Black
 Mating Terminal: WD3810-3TD3XXXXXX



Part NO.	Foolproof code	Pin	A	B	C	D	E
WD5085-1H02B001X	X	2	5.08	14.16	16.83	18.78	23.53
WD5085-1H02B002X	Y						
WD5085-1H03B001X	X	3	10.16	19.24	21.91	23.86	28.61
WD5085-1H03B002X	Y						
WD5085-1H03B003X	Z						
WD5085-1H04B001X	X	4	15.24	24.32	26.99	28.94	33.69
WD5085-1H04B002X	Y						
WD5085-1H05B001X	X	5	20.32	29.40	32.07	34.02	38.77
WD5085-1H05B002X	Y						
WD5085-1H06B001W	X	6	25.40	34.48	37.15	39.10	43.85
WD5085-1H06B002W	Y						

Ordering Information

WD5085 -1 H XX B 0 XX X

Row: -1
1=Single

Receptacle Housing: H

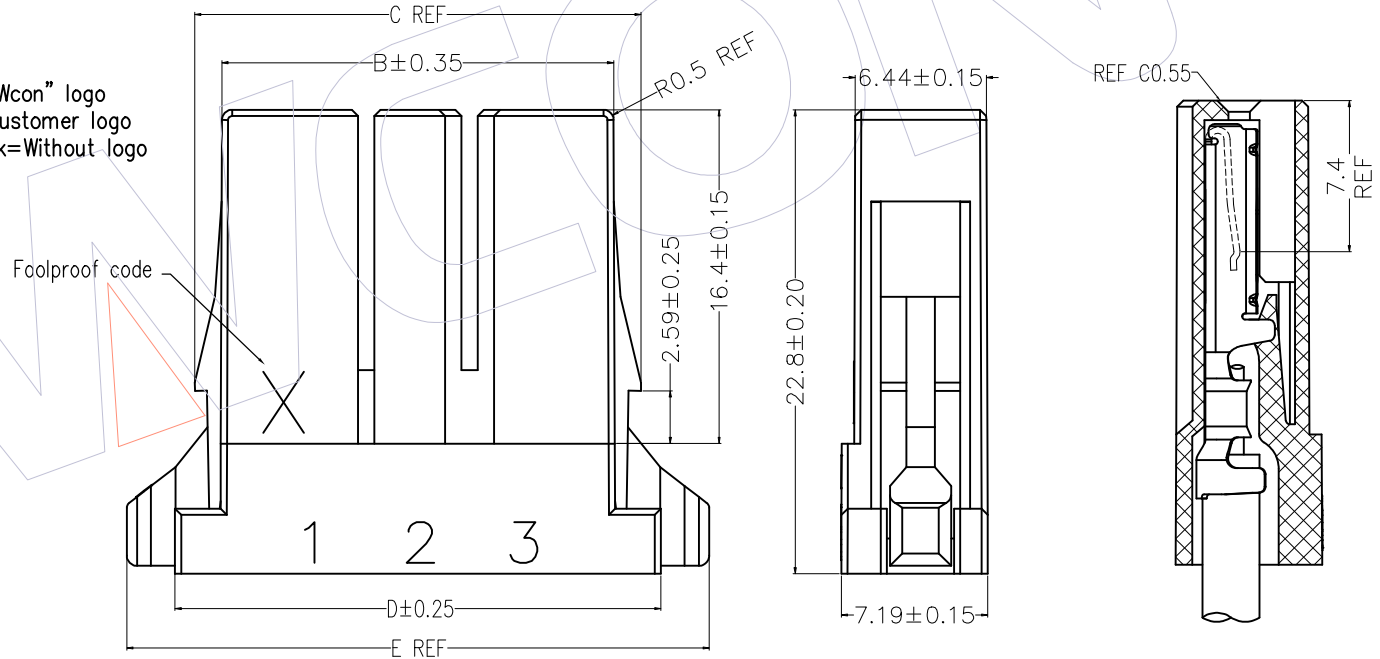
No of Pins: XX
02=2Pin, 03=3Pin, 04=4Pin, 05=5Pin, 06=6Pin

Housing Color: B=Black

Foolproof Type: XX
01=X
02=Y
03=Z

Packing: 0=PE Bag

W="Wcon" logo
M=Customer logo
Blank=Without logo



REV	DATE	MODIFICATION DESCRIPTION	CHANGE	OPERATION	DRAW	DATE	SCALE	Fit	PART NO.
A0	2021.06.23	NEW		x.x ±0.40	OHJ	2021.06.23	UNIT	mm	WD5085-1HXXB0XXX
				x.xx ±0.25	CHECK	DATE	SIZE	A4	TITLE:
				x.xxx ±0.15	APPROVE	DATE	SHEET	1/2	5.08mm Dyn. Housing(T Type)
				Angle ± 3°			PROJ.	Φ	Single Row
				DIM TOL					Customer NO.

WCON
 Http: www.wcon.com

WCON-Dongguan
 Tel: +86 769 85358920
 Fax: +86 769 85358915
 E-mail: sales@wcon.com

WCON-Kunshan
 Tel: +86 512 57468408
 Fax: +86 512 57468468
 E-mail: salesk@wcon.com