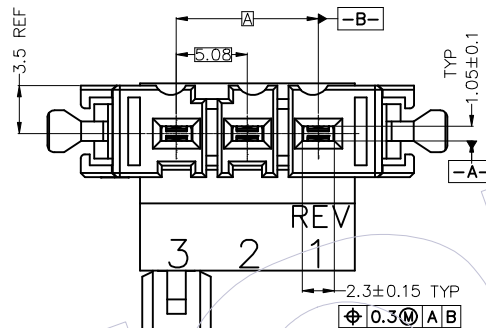
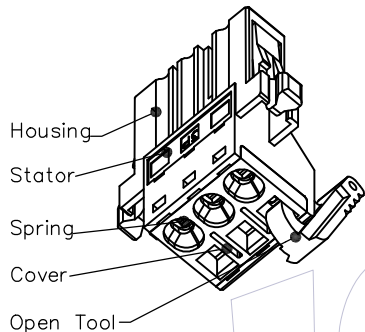


HSF

NOTES:
 Current Rating: 12A max
 Voltage Rating: 600V
 Contact Resistance: 10mΩ max
 Withstand Voltage: 2200V AC
 Operation Temperature: -55°C to +105°C
 Contact Material: Copper Alloy
 Contact plating:
 SX: xxu" Gold on contact area,
 (See Ordering Information)
 50u" Nickel underplating overall.
 Housing Material: PBT+G.F.(UL94V-0),BK
 Cover Material: PBT+G.F.(UL94V-0),BK
 Stator Material: PBT+G.F.(UL94V-0),BK
 Open Tool Material: PA66, White
 Spring Material: Stainless.
 Wire Size Range: AWG18~14;

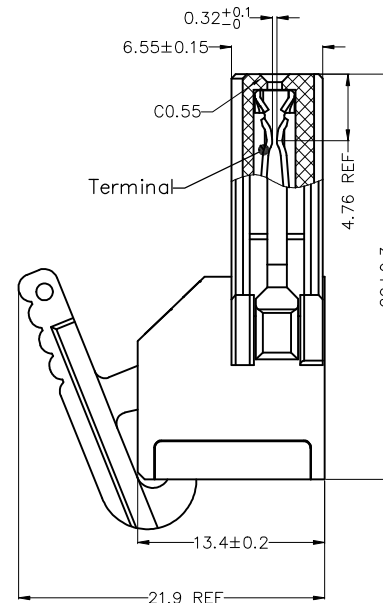
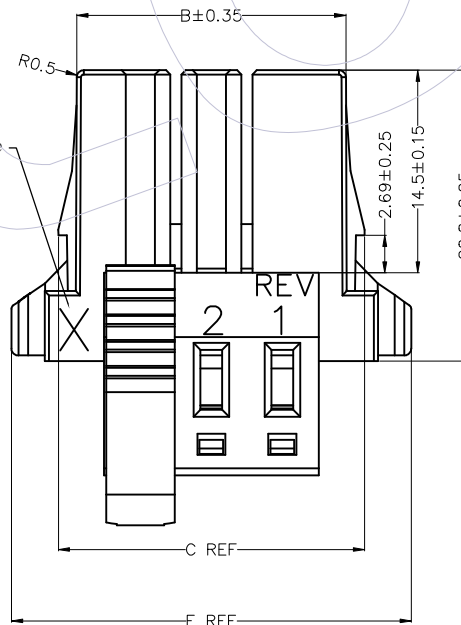


Pin	A	B	C	E
3	10.16	19.24	21.91	28.61
4	15.24	24.32	26.99	33.69
5	20.32	29.40	32.07	38.77
6	25.40	34.48	37.15	43.85

Ordering Information

WD5085 -1 HB XX XX B A XX X
 Row: 1=Single
 Spring compression -Reverse type
 No of Pins: 03=3Pin; 04=3Pin; 05=4Pin; 06=6Pin
 Contact Plated: S4=15u" Gold /Ni; S5=30u" Gold /Ni
 Housing Color: B=Black
 W="Wcon" logo; M=Customer logo; Blank=Without logo
 Foolproof Type: 01=X; 02=Y
 Packing A=Tray

Foolproof code



REV	DATE	MODIFICATION DESCRIPTION	CHANGE	OPERATION	DRAW	DATE	SCALE	Fit	PART NO.
A0	2021.06.23	NEW		x.x ±0.40	OHJ	2021.06.23	UNIT	mm	WD5085 -1HBXXXXBAXXX
				x.xx ±0.25	CHECK	DATE	SIZE	A4	TITLE:
				x.xxx ±0.15	APPROVE	DATE	SHEET	1/2	5.08mm Dyn. (J Type) Single Row
				Angle ± 3°			PROJ.	0.3 M A B	Spring compression TYPE (Reverse type)
				DIM TOL					Customer NO.

WCON

Http: www.wcon.com

WCON-Dongguan Tel: +86 769 85358920 Fax: +86 769 85358915 E-mail: sales@wcon.com	WCON-Kunshan Tel: +86 512 57468408 Fax: +86 512 57468468 E-mail: salesks@wcon.com
---	--