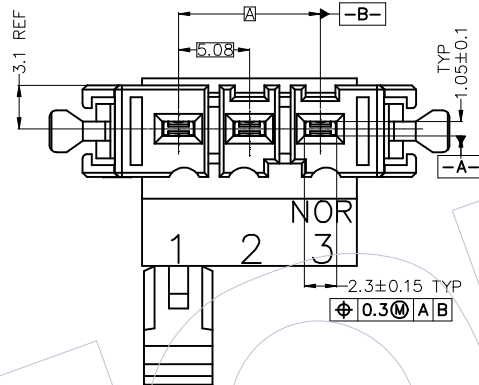
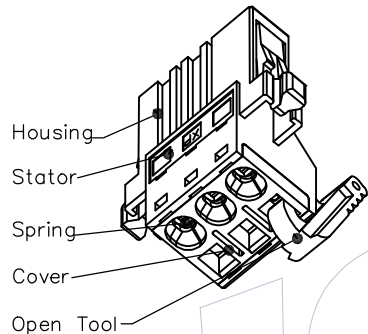


HSF

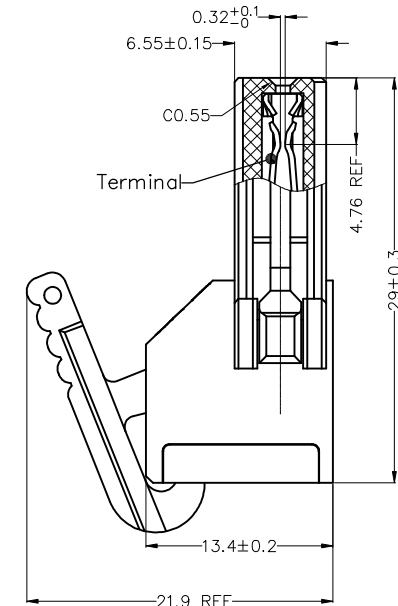
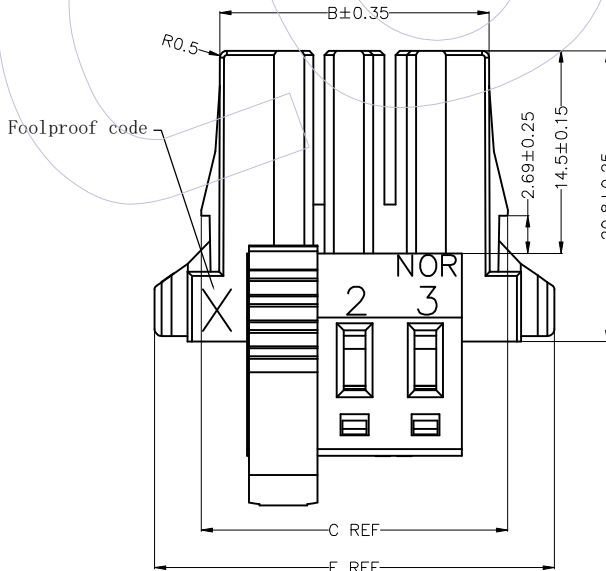
NOTES:
 Current Rating: 12A max
 Voltage Rating: 600V
 Contact Resistance: 10mΩ max
 Withstand Voltage: 2200V AC
 Operation Temperature: -55°C to +105°C
 Contact Material: Copper Alloy
 Contact plating:
 SX: xxu" Gold on contact area,
 (See Ordering Information)
 50u" Nickel underplating overall.
 Housing Material: PBT+G.F.(UL94V-0),BK
 Cover Material: PBT+G.F.(UL94V-0),BK
 Stator Material: PBT+G.F.(UL94V-0),BK
 Open Tool Material: PA66,White
 Spring Material: Stainless.
 Wire Size Range: AWG18~14;



Pin	A	B	C	E
3	10.16	19.24	21.91	28.61
4	15.24	24.32	26.99	33.69
5	20.32	29.40	32.07	38.77
6	25.40	34.48	37.15	43.85

Ordering Information

WD5085 -1 HA XX XX B A XX X
 Row: _____
 1=Single
 Spring compression
 -Normal type
 No of Pins:
 03=3Pin; 04=4Pin;
 05=5Pin; 06=6Pin
 Contact Plated:
 S4=15u" Gold /Ni
 S5=30u" Gold /Ni
 Housing Color:
 B=Black
 W="Wcon" logo
 M=Customer logo
 Blank=Without logo
 Foolproof Type:
 01=X
 02=Y
 Packing
 A=Tray



REV	DATE	MODIFICATION DESCRIPTION	CHANGE	OPERATION		DRAW	DATE	SCALE	Fit	PART NO.
				DIM	TOL					
A0	2021.06.23	NEW		x.x	±0.40	OHJ	2021.06.23	UNIT	mm	WD5085 -1HAXXXBAXXX
				x.xx	±0.25	CHECK	DATE	SIZE	A4	TITLE:
				x.xxx	±0.15	APPROVE	DATE	SHEET	1/2	5.08mm Dyn. (J Type) Single Row Spring compression TYPE (Normal type)
				Angle	± 3°			PROJ.	ϕ	Customer NO.

WCON

Http: www.wcon.com

WCON-Dongguan
 Tel: +86 769 85358920
 Fax: +86 769 85358915
 E-mail: sales@wcon.com

WCON-Kunshan
 Tel: +86 512 57468408
 Fax: +86 512 57468468
 E-mail: salesks@wcon.com