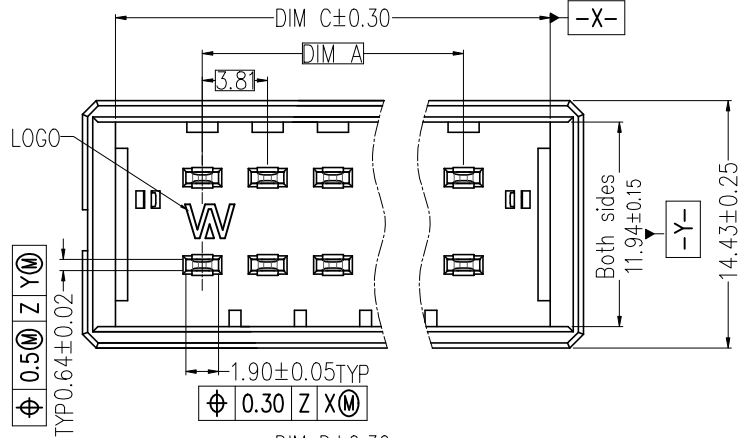


NOTES:

- Material:
Housing: LCP,G.F,UL94V-0,BK
Contact/strip: Copper Alloy
- Contact Plating:
xxu"Gold on contact area(See Ordering Information)
100u"Matte tin on solder area,
50u" Nickel underplating overall.
- Ground strip:100u"Matte tin over 50u" Nickel.
- Rated Current:12.0A Max
- Contact Resistance:10mΩ max
- Withstand Voltage:1500V AC
- Insulation Resistance:1000MΩ min
- Operation Temperature:-55°C to +105°C
- Soldering: Solder temperature: 260±5°C
Solder time: 5±1S



Pin	A	B	C	D
2*3	7.62	13.97	17.72	21.62
2*4	11.43	17.78	21.53	25.43
2*5	15.24	21.59	25.34	29.24
2*6	19.05	25.40	29.15	33.05
2*8	26.67	33.02	36.77	40.67
2*10	34.29	40.64	44.39	48.29
2*12	41.91	48.26	52.01	55.91

Ordering Information

WD3810-2 WS XX XX B A 10 W

2=Dual Row

WS=180°DIP

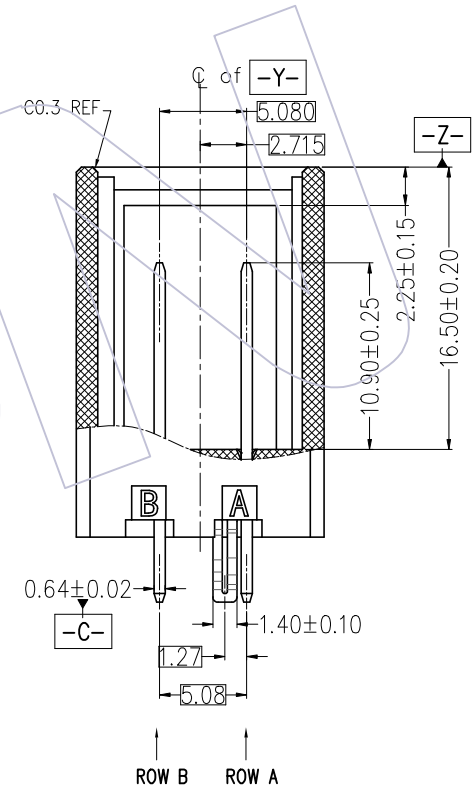
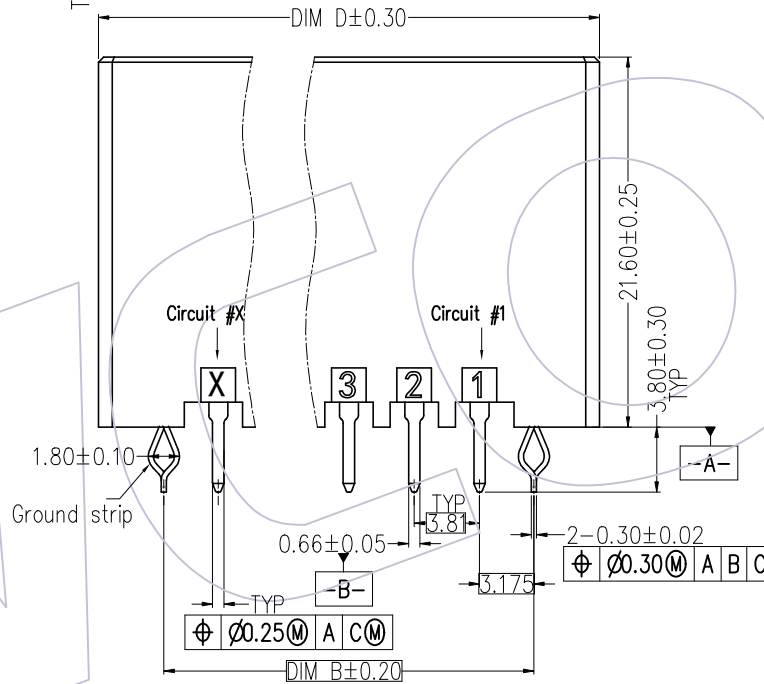
W=W/T W Logo
Blank=W/O W Logo

A=Tray

No.of pins per row:
03=3P 04=4P
05=5P 06=6P
08=8P 10=10P
12=12P

Housing Color
B=Black

Contact Plated:
SM=Matte Tin
W1=3u"Gold/Matte Tin
W4=15u"Gold/Matte Tin
W5=30u"Gold/Matte Tin



REV	DATE	MODIFICATION DESCRIPTION	CHANGE	OPERATION	DRAW	DATE	SCALE	FIT	PART NO.
A0	2021/06/15	NEW	XSR	x.x ±0.40	XSR	2021/06/15	UNIT	mm	WD3810-2WSXXXXBA10(W)
				x.xx ±0.25	CHECK	DATE	SIZE	A4	TITLE:
				x.xxx ±0.15	APPROVE	DATE	SHEET	1/2	3.81*5.08mm Dyn. (T Type)
				Angle ± 3°			PROJ.	Φ	Dual Row 180°DIP with Ground strip
				DIM TOL					Customer NO.



Http: www.wcon.com

WCON-Dongguan Tel: +86 769 85358920 Fax: +86 769 85358915 E-mail: sales@wcon.com	WCON-Kunshan Tel: +86 512 57468408 Fax: +86 512 57468468 E-mail: sales@wcon.com
---	--