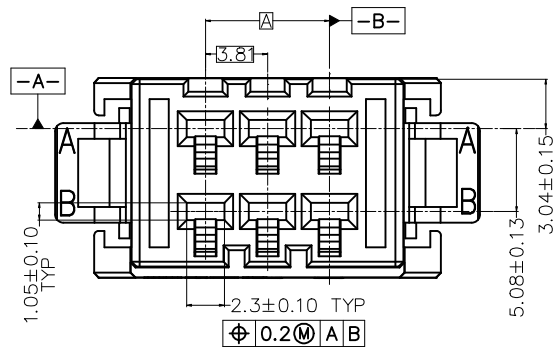


HSF

NOTES:
 Rated Voltage: 250V.
 Withstand Voltage: 1500V AC
 Insulation Resistance: 1000MΩ Min.
 Operation Temperature: -55°C to +105°C
 Material: PBT+G.F. UL94V-0, Black
 Mating Terminal: WD3810-3TD3XXXXXX



Part NO.	Pin	A	B	C	D	E
WD3810-2H03B010X	2*3	7.62	16.70	19.37	21.32	26.07
WD3810-2H04B010X	2*4	11.43	20.51	23.18	25.13	29.88
WD3810-2H05B010X	2*5	15.24	24.32	26.99	28.94	33.69
WD3810-2H06B010X	2*6	19.05	28.13	30.80	32.75	37.50
WD3810-2H08B010X	2*8	26.67	35.75	38.42	40.37	45.12
WD3810-2H10B010X	2*10	34.29	43.37	46.04	47.99	52.74

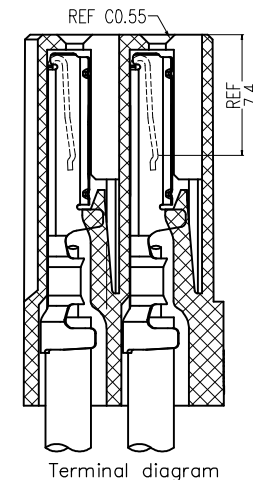
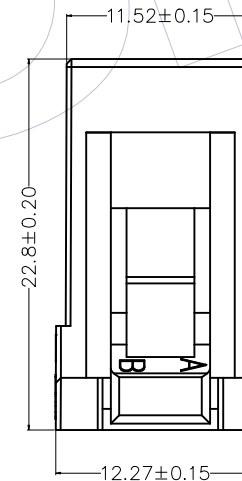
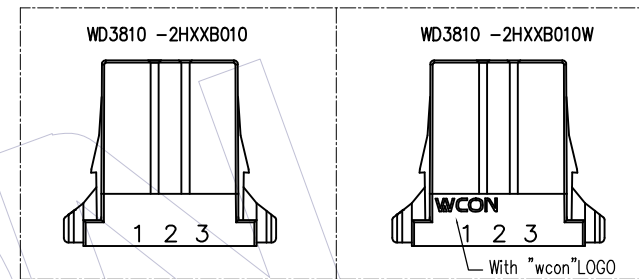
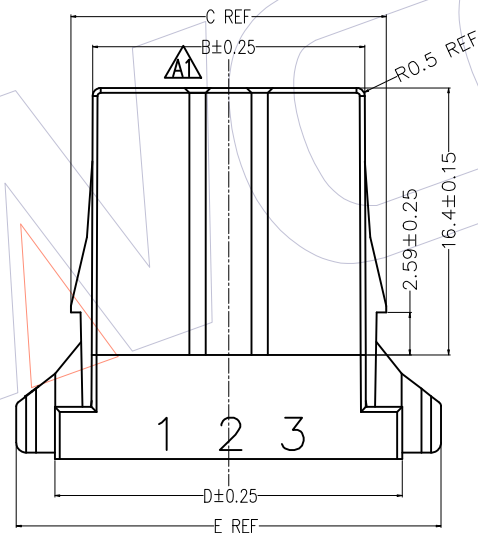
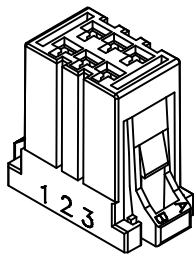
Ordering Information

WD3810 - 2 H XX B O 10 X

Row: 2=Dual
 Receptacle Housing
 No of Pins Per Row: 03=3Pin, 04=4Pin, 05=5Pin, 06=6Pin, 08=8Pin, 10=10Pin
 Housing Color: B=Black
 Packing: 0=PE Bag

W="Wcon" logo
 M=Customer logo
 Blank=Without logo

Foolproof Type: 10=Symmetrical



REV	DATE	MODIFICATION DESCRIPTION	CHANGE	OPERATION	DRAW	DATE	SCALE	Fit	PART NO.
A1	2021.09.08	Change Dimension Tolerance	OHJ	x.x ±0.40	OHJ	2021.09.08	UNIT	mm	WD3810-2HXXB010X
A0	2021.06.23	NEW	—	x.xx ±0.25	CHECK	DATE	SIZE	A4	
				x.xxx ±0.15	APPROVE	DATE	SHEET	1/1	
				Angle ± 3°			PROJ.	⌀	
				DIM TOL					

WCON

Http: www.wcon.com

WCON-Dongguan
 Tel: +86 769 85358920
 Fax: +86 769 85358915
 E-mail: sales@wcon.com

WCON-Kunshan
 Tel: +86 512 57468408
 Fax: +86 512 57468468
 E-mail: salesks@wcon.com

TITLE:
 3.81*5.08mm Dyn. Housing
 (T Type), Dual Row
 Customer NO. -