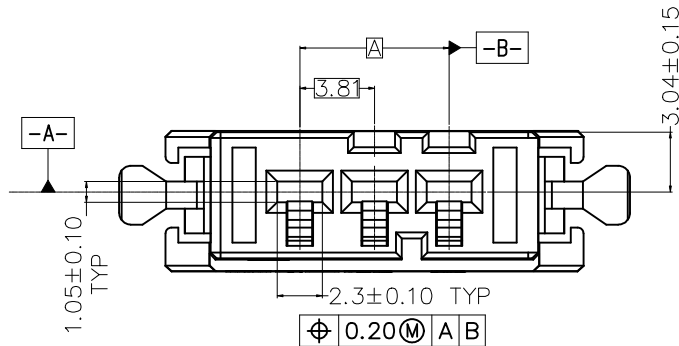


HSF

NOTES:
 Rated Voltage: 250V.
 Withstand Voltage: 1500V AC
 Insulation Resistance: 1000MΩ Min.
 Operation Temperature: -55°C to +105°C
 Material: PBT+G.F.UL94V-0,Black
 Mating Terminal: WD3810-3TD3XXXXXX

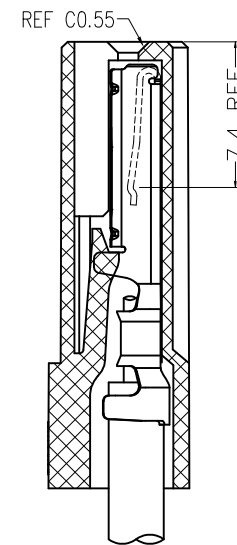
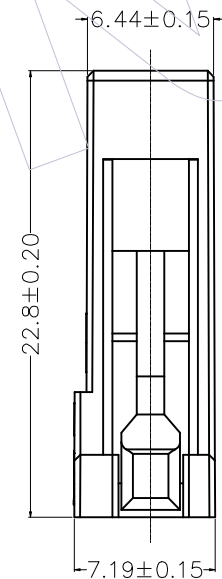
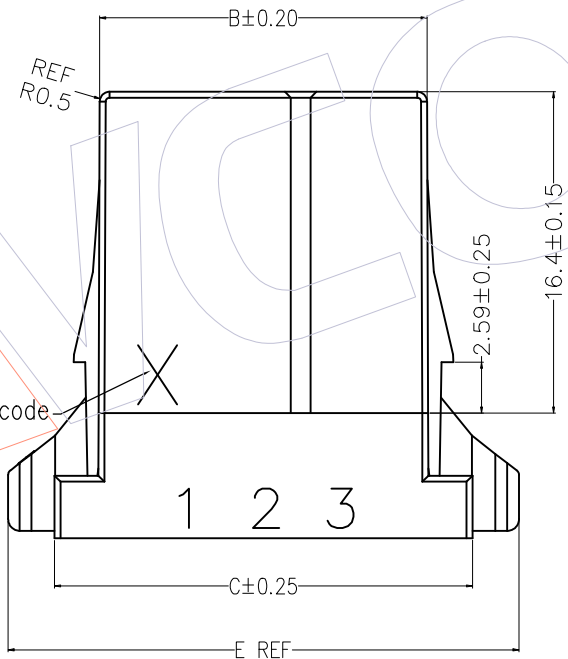


Part NO.	Foolproof code	Pin	A	B	C	E
WD3810-1H03B001X	X	3	7.62	16.70	19.37	26.07
WD3810-1H03B002X	Y					
WD3810-1H04B001X	X	4	11.43	20.51	23.18	29.88
WD3810-1H04B002X	Y					
WD3810-1H05B001X	X	5	15.24	24.32	26.99	33.69
WD3810-1H06B001X	X					
WD3810-1H06B002X	Y	6	19.05	28.13	30.80	37.50
WD3810-1H08B001X	X					
WD3810-1H10B001X	X	10	34.29	43.37	46.04	52.74
WD3810-1H10B002X	Y					

Ordering Information

WD3810 -1 H XX B O XX X

Row: 1=Single
 Receptacle Housing
 No of Pins: 03=3Pin, 04=4Pin, 05=5Pin, 06=6Pin, 08=8Pin, 10=10Pin
 Housing Color: B=Black
 Packing: 0=PE Bag
 Foolproof Type: 01=X, 02=Y
 W="Wcon" logo, M=Customer logo, Blank=Without logo
 Foolproof code



Terminal diagram

REV	DATE	MODIFICATION DESCRIPTION	CHANGE	OPERATION		DRAW	DATE	SCALE	Fit	PART NO.
				x.x	±0.40					
				x.xx	±0.25	CHECK	DATE			TITLE:
				x.xxx	±0.15					3.81mm Dyn. Housing (T Type)
A0	2021/06/23	NEW		Angle	± 3°	APPROVE	DATE			Single Row
				DIM	TOL					Customer NO.

WCON

Http: www.wcon.com

WCON-Dongguan
 Tel: +86 769 85358920
 Fax: +86 769 85358915
 E-mail: sales@wcon.com

WCON-Kunshan
 Tel: +86 512 57468408
 Fax: +86 512 57468468
 E-mail: salesks@wcon.com