

# HFS

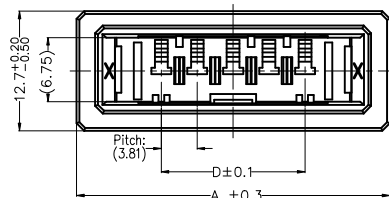
## NOTES:

- 1.Voltage Rating: 250V AC ;
- 2.Withstand Voltage: 1500V AC;
- 3.Insulation Resistance: 1000MΩ Min;
- 4.Operating Temperature: -40°C to +125°C;
- 5.Insulator Material: PBT,G.F,UL94V-0,BK;
- 6.Mating Terminal: WD3810-MTD4XXXXXX;

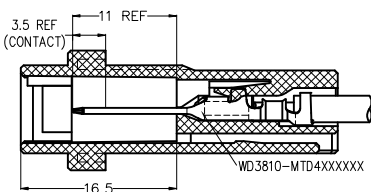
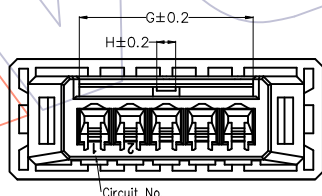
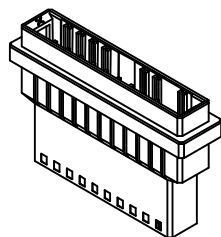
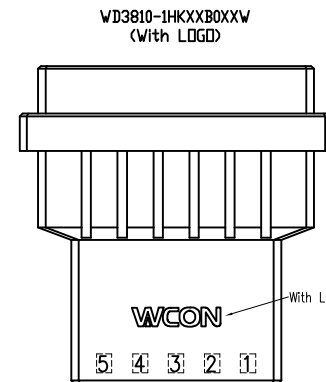
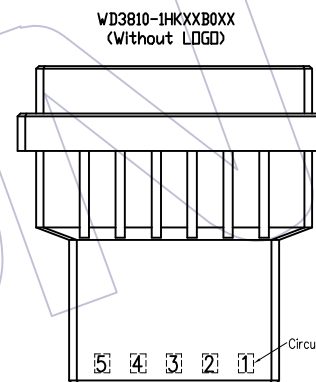
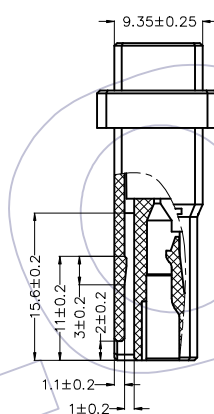
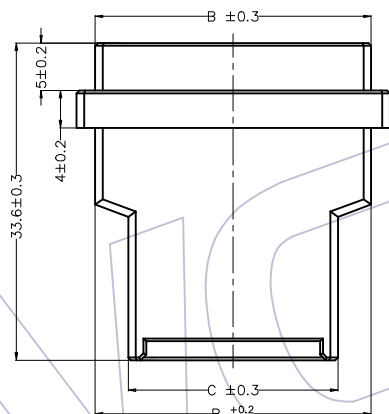
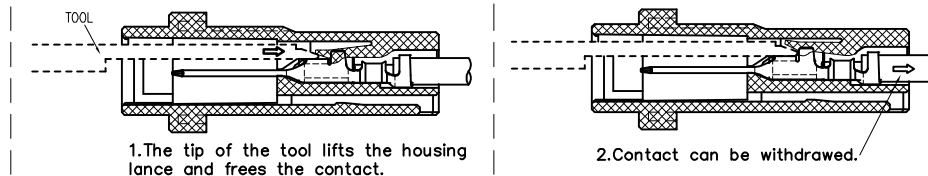
## Ordering Information

WD3810 - 1 HK XX B 0 XX X

- Single Row
- Free Hanging Type
- No. of Pins:
  - 03=3PIN
  - 05=5PIN
  - 08=8PIN
  - 10=10PIN
- Housing Color:
  - B=Black
- Packing:
  - 0=PE Bag
- Keying Type:
  - 01=X;
  - 02=Y;
- W="Wcon" logo
- Blank=Without logo



## Wiring type tool for pulling the contact from the housing



Pos.	Part Number	KEYING	KEY LOCATION (SCALE 1:2)	A	B	C	D	G	H
3	WD3810-1HK03B001X	X		40.0	21.62	14.62	7.62	8.4	2.0
	WD3810-1HK03B002X	Y		40.0	21.62	14.62	7.62	8.4	2.0
5	WD3810-1HK05B001X	X		47.0	29.24	22.24	15.24	18.4	4.0
8	WD3810-1HK08B001X	X		59.0	40.67	33.67	26.67	18.4	4.0
10	WD3810-1HK10B001X	X		67.0	48.29	41.29	34.29	18.4	4.0
	WD3810-1HK10B002X	Y		67.0	48.29	41.29	34.29	18.4	2.0

OPERATION	
X.X	±0.30
X.XX	±0.25
X.XXX	±0.2
Angle	± 3'
DIM	TOL

DRAW	DATE
Houfu Peng	2022.09.23
CHECK	DATE
APPROVE	DATE

SCALE	FIT
UNIT	mm
SIZE	A4
SHEET	1/1
PROJ.	

PART NO.  
WD3810-1HKXXB0XXX  
TITLE:  
3.81mm Dyn. TYPE Housing  
(Free Hanging Type) Single Row  
Customer NO.

# WCON

Http: www.wcon.com

WCON-Dongguan  
Tel: +86 769 85358920  
Fax: +86 769 85358915  
E-mail: sales@wcon.com

WCON-Kunshan  
Tel: +86 512 57468408  
Fax: +86 512 57468468  
E-mail: salesks@wcon.com

REV	DATE	MODIFICATION DESCRIPTION	CHANGE
A0	2022.09.23	NEW	Houfu Peng