

# HFS

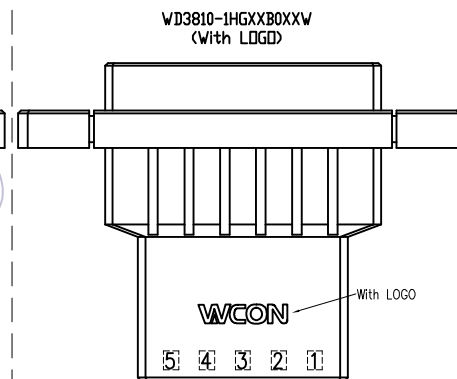
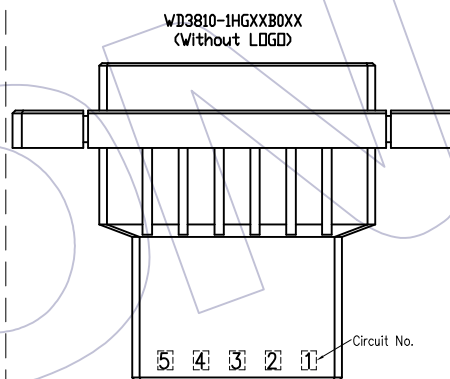
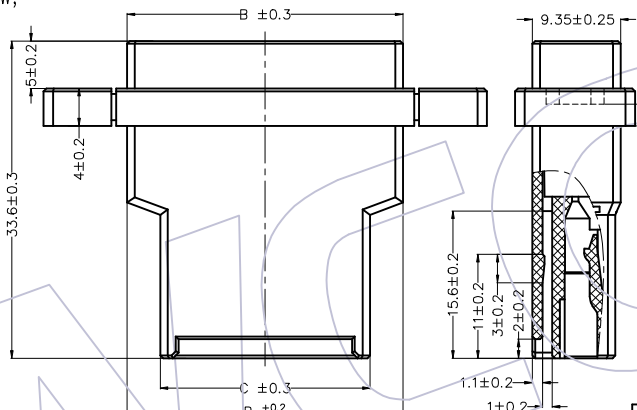
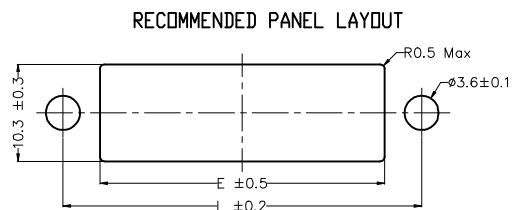
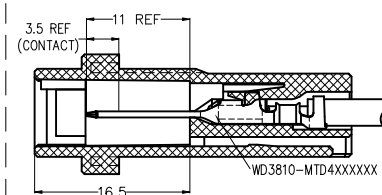
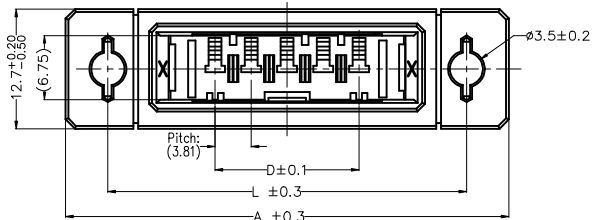
## NOTES:

- 1.Voltage Rating: 250V AC ;
- 2.Withstand Voltage: 1500V AC;
- 3.Insulation Resistance: 1000MΩ Min;
- 4.Operating Temperature: -40°C to +125°C;
- 5.Insulator Material: PBT,G.F,UL94V-0,BK;
- 6.Panel Attachment Recommendation M3 Screw;
- 7.Mating Terminal: WD3810-MTD4XXXXXX;

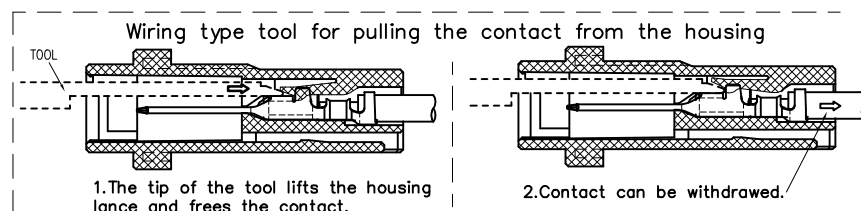
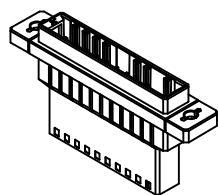
## Ordering Information

WD3810 - 1 HG XX B 0 XX X

- Single Row
- Panel Type
- No.of Pins:  
03=3PIN  
05=5PIN  
08=8PIN  
10=10PIN
- Housing Color:  
B=Black
- Packing:  
0=PE Bag
- Keying Type:  
01=X;  
02=Y;
- W="Wcon" logo  
Blank=Without logo



| Pos. | Part Number       | KEYING | KEY LOCATION (SCALE 1:2) | A    | B     | C     | D     | G    | H   | K   | L    | E    |
|------|-------------------|--------|--------------------------|------|-------|-------|-------|------|-----|-----|------|------|
| 3    | WD3810-1HG03B001X | X      |                          | 40.0 | 21.62 | 14.62 | 7.62  | 8.4  | 2.0 | 0.2 | 31.0 | 22.6 |
|      | WD3810-1HG03B002X | Y      |                          | 40.0 | 21.62 | 14.62 | 7.62  | 8.4  | 2.0 | 0.2 | 31.0 | 22.6 |
| 5    | WD3810-1HG05B001X | X      |                          | 47.0 | 29.24 | 22.24 | 15.24 | 18.4 | 4.0 | 0.4 | 38.0 | 30.2 |
| 8    | WD3810-1HG08B001X | X      |                          | 59.0 | 40.67 | 33.67 | 26.67 | 18.4 | 4.0 | 0.4 | 50.0 | 41.6 |
| 10   | WD3810-1HG10B001X | X      |                          | 67.0 | 48.29 | 41.29 | 34.29 | 18.4 | 4.0 | 0.4 | 58.0 | 49.2 |
|      | WD3810-1HG10B002X | Y      |                          | 67.0 | 48.29 | 41.29 | 34.29 | 18.4 | 2.0 | 0.4 | 58.0 | 49.2 |



|            |            |            |       |     |   |
|------------|------------|------------|-------|-----|---|
| OPERATION  | DRAW       | DATE       | SCALE | FIT | PART NO.<br>WD3810-1HGXXB0XXX                                 |
| X.X ±0.30  | Houfu Peng | 2022.10.19 | UNIT  | mm  |   |
| X.XX ±0.25 | CHECK      | DATE       | SIZE  | A4  | TITLE:<br>3.81mm Dyn. TYPE Housing<br>(Panel Type) Single Row |
| X.XXX ±0.2 | APPROVE    | DATE       | SHEET | 1/1 | Customer NO.  |
| Angle ± 3° |            |            | PROJ. |     |   |
| DIM TOL    |            |            |       |     |   |

# WCON

Http: www.wcon.com

WCON-Dongguan      WCON-Kunshan  
 Tel: +86 769 85358920      Tel: +86 512 57468408  
 Fax: +86 769 85358915      Fax: +86 512 57468468  
 E-mail: sales@wcon.com      E-mail: salesks@wcon.com

|     |            |                          |            |
|-----|------------|--------------------------|------------|
| A0  | 2022.10.19 | NEW                      | Houfu Peng |
| REV | DATE       | MODIFICATION DESCRIPTION | CHANGE     |