



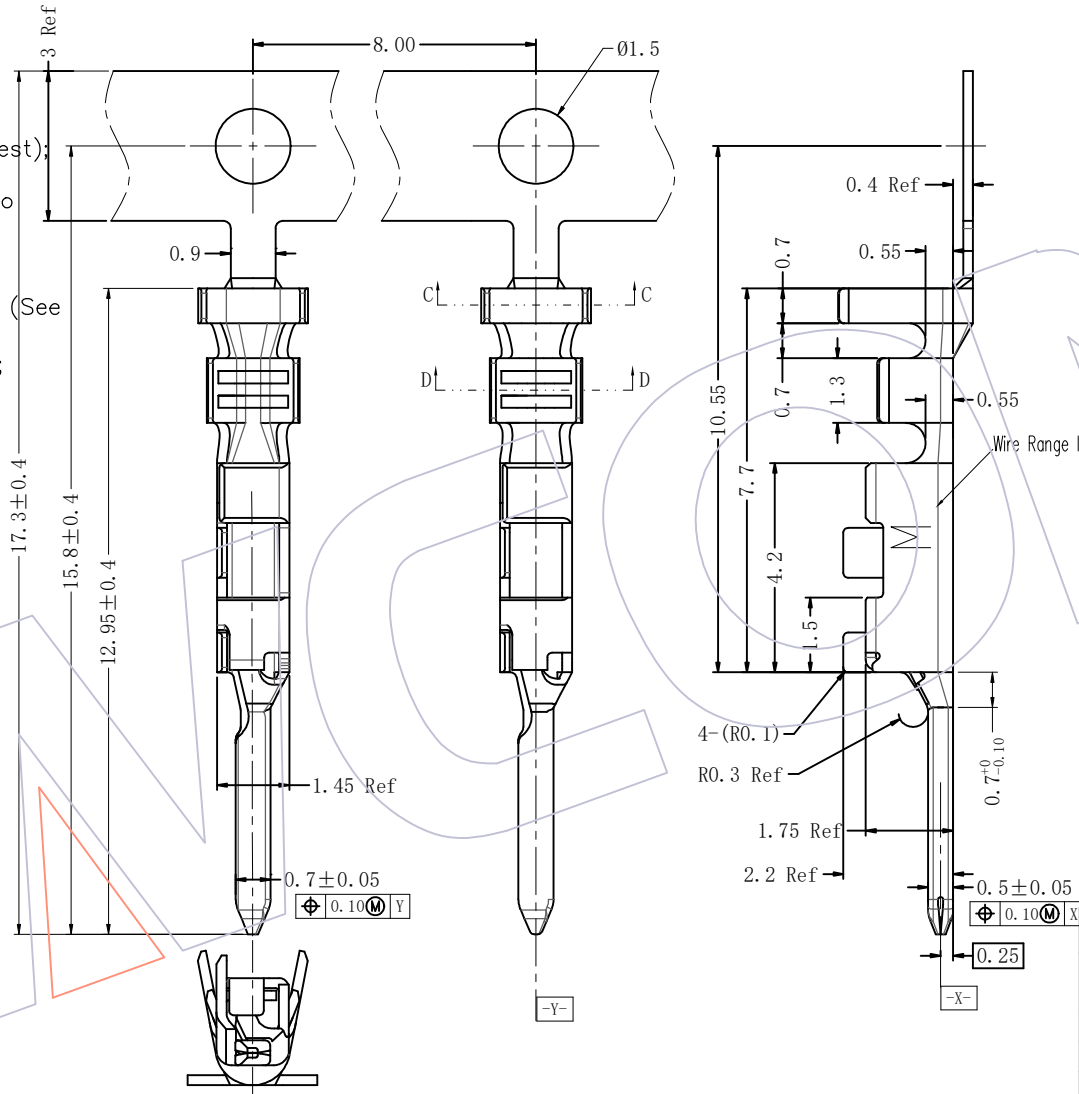
**NOTES:**

- 1.Current Rating: 3A Max(22AWG Test);
- 2.Contact Resistance: 20mΩ Max;
- 3.Operating Temperature: -40°C to +125°C;
- 4.Contact Material: Copper Alloy;
- 5.Contact plating:  
S4: 15μ" Gold on contact area (See ordering information),  
50μ" Nickel underplating overall;
- 6.Wire Size Range: 22-28AWG;
- 7.Insulation range: 1.6-1.08mm;

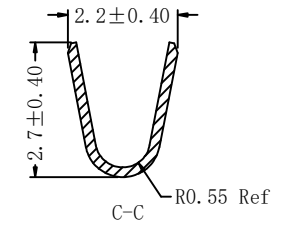
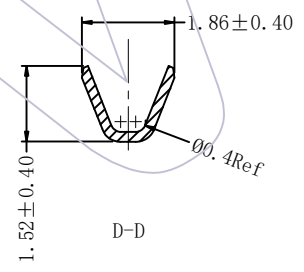
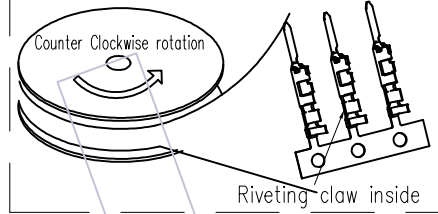
**Ordering Information**

WD3500- MT P 28 XX 01

- Terminal
- Material:  
P=C5191
- Wire Size Range: 22-28AWG
- Contact Plating:  
S4=Gold Plated 15<sup>Min</sup>, Over 50<sup>u</sup>" Nickel  
SN= Tin plating
- WCON internal code



**SCHEMATIC DIAGRAM OF TERMINAL DISCHARGE**



**Crimping size of wire terminals for reference**

Wire Size (AWG)	Required Crimping Size at Wire Barrel		Required Crimping Size at Insulation Barrel	
	Width(+/-0.05mm)	Height(+/-0.05mm)	Width(+/-0.05mm)	Height(+/-0.05mm)
18AWG	1.50	0.95	2.10MAX	1.85MAX
22AWG	1.35	0.78	1.55MAX	1.80MAX
24AWG	1.30	0.70	1.55MAX	1.70MAX
26AWG	1.25	0.60	1.35MAX	1.70MAX
28AWG	1.25	0.55	1.35MAX	1.70MAX
30AWG	1.25	0.50	1.35MAX	1.70MAX

REV	DATE	MODIFICATION DESCRIPTION	CHANGE	OPERATION		DRAW	DATE	SCALE	FIT	PART NO. WD3500-MTP28XX01
				X.X	±0.40					
				X.XX	±0.25	CHECK	DATE	UNIT	mm	TITLE: 3.5X3.3mm Dyn. Male Crimp Terminal (22-28AWG)
				X.XXX	±0.15	APPROVE	DATE	SIZE	A4	Customer NO.
A0	2021.09.25	NEW		Angle	± 3'			SHEET	1/1	
				DIM	TOL			PROJ.		

**WCON**  
 Http: www.wcon.com  
 WCON-Dongguan Tel: +86 769 85358920  
 WCON-Kunshan Tel: +86 512 57468408  
 Fax: +86 769 85358915  
 Fax: +86 512 57468468  
 E-mail: sales@wcon.com  
 E-mail: salesks@wcon.com