

HSF

NOTES:

- 1.Voltage Rating: 250V AC/DC;
- 2.Withstand Voltage: 1500V AC;
- 3.Insulation Resistance: 100MΩ Min;
- 4.Operating Temperature: -40°C to +125°C;
- 5.Insulator Material: PBT,G.F,UL94V-O,BK;

Matching parts	
Housing	Wiring terminal
WD2500-2H02B001X	WD3500-TPXXSN01 WD3500-3TPXXS401 XX: 18~30Awg

Ordering Information

WD2500-2 H XX X O XX X

2=Dual Row

H=HOUSING

No.of Pins of single row:

02=2P; 03=3P

04=4P; 05=5P

06=6P; 08=8P; 10=10PIN

Color:

B=Black; Y=Yellow;

W=Natural; R=Red

PACKING: PE Bag

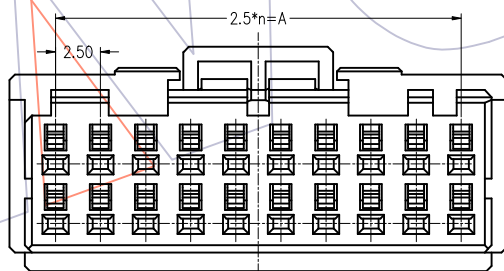
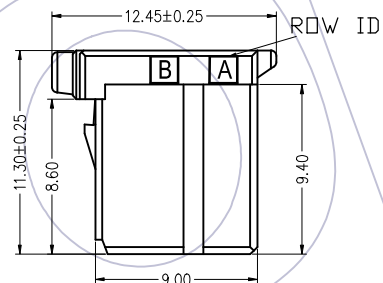
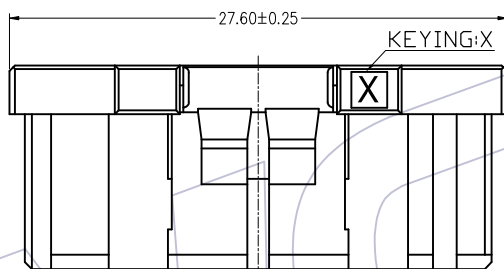
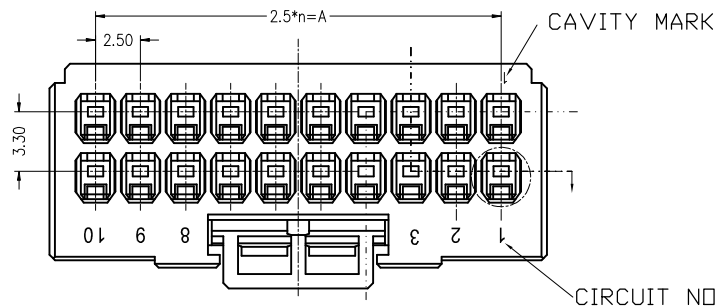
X Fool-proofing =01

X Fool-proofing =11

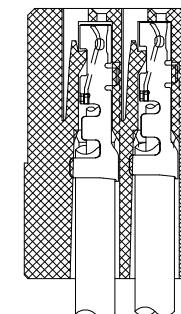
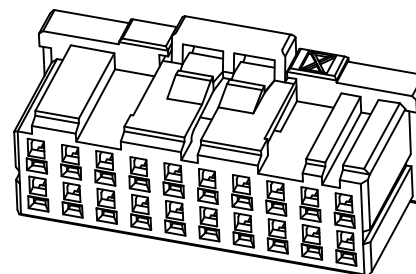
Y Fool-proofing =02

W: With logo

blank: without logo



20PIN,X-KEY



WD2500-2H10X001(W)	20	X	9	22.5	25.9	27.6	8.30
WD2500-2H10X002(W)	20	Y	9	22.5	25.9	27.6	8.30
WD2500-2H08X001(W)	16	X	7	17.5	20.9	22.6	8.30
WD2500-2H08X002(W)	16	Y	7	17.5	20.9	22.6	8.30
WD2500-2H06X001(W)	12	X	5	12.5	15.9	17.6	8.30
WD2500-2H06X011(W)	12	X	5	12.5	15.9	17.6	8.30
WD2500-2H06X002(W)	12	Y	5	12.5	15.9	17.6	8.30
WD2500-2H05X001(W)	10	X	4	10.0	13.4	15.1	3.30
WD2500-2H05X002(W)	10	Y	4	10.0	13.4	15.1	3.30
WD2500-2H04X001(W)	8	X	3	7.50	10.9	12.6	3.30
WD2500-2H04X002(W)	8	Y	3	7.50	10.9	12.6	3.30
WD2500-2H03X001(W)	6	X	2	5.00	8.40	10.1	3.30
WD2500-2H03X011(W)	6	X	2	5.00	8.40	10.1	3.30
WD2500-2H03X002(W)	6	Y	2	5.00	8.40	10.1	3.30
WD2500-2H02X001(W)	4	X	1	2.50	5.90	7.60	3.10
WD2500-2H02X011(W)	4	X	1	2.50	5.90	7.60	3.10
WD2500-2H02X002(W)	4	Y	1	2.50	5.90	7.60	3.10
Part NO	PIN	KEY	n	A	B	C	D

REV	DATE	MODIFICATION DESCRIPTION	CHANGE	OPERATION	DRAW	DATE	SCALE	FIT	PART NO.
A1	2023.08.19	Increase Y Keying	—	x.x ±0.40	kevin-xin	2023.08.19	UNIT	mm	WD2500-2HXXX0XX(W)
A0	2023.08.02	Add the cable terminal material number	—	x.xx ±0.25	CHECK	DATE	SIZE	A4	TITLE: 2.5X3.3 mm Dyn. TYPE Dual Row Socket Housing
1	2022.01.20	NEW	—	x.xxx ±0.15	APPROVE	DATE	SHEET	1/5	Customer NO.
				Angle ± 3°			PROJ.		
				DIM TOL					

WCON

Http: www.wcon.com

WCON-Dongguan Tel: +86 769 85358920
WCON-Kunshan Tel: +86 512 57468408
Fax: +86 769 85358915 Fax: +86 512 57468468
E-mail: sales@wcon.com E-mail: salesks@wcon.com