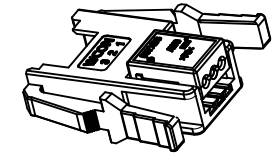
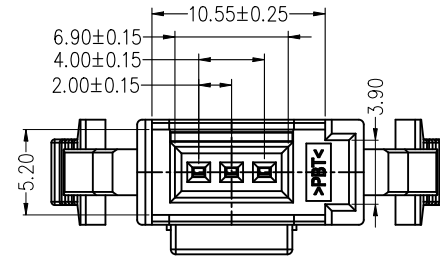


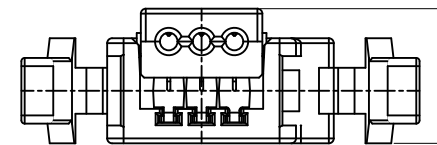
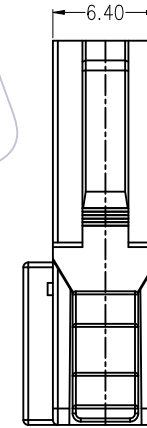
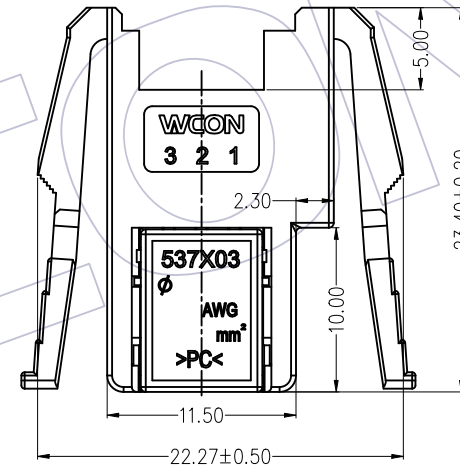
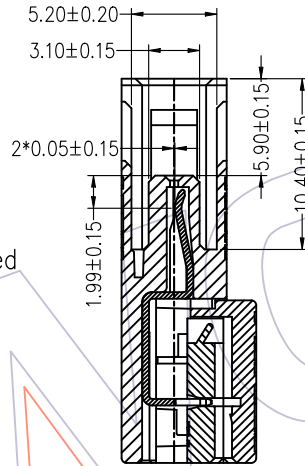
HSF

Current Rating: 3.0A
 Voltage Rating: 32V
 Insulation Resistance: 1000MΩ min 500V DC
 Withstanding Voltage: 1000V
 Operation Temperature: -20°C to +85°C
 Insulation
 Material: Glass Reinforced Thermoplastic Body&Lower Cover, Transparent Thermoplastic Cover
 Flammability: UL94V-0
 Color: Black Body, Cover-White&Color(see Table 1)
 Contact
 Material: Copper Alloy
 Plating
 Underplating: 50-100u" Nickel
 Wiping Area: Gold with Lubricant
 IDC: 80-300u" Matte Tin
 Wire Accomodation: Copper Alloy, 7-19 Bare and Tinned Strands, 0.14-0.50mm², 20-26AWG
 Wire Insulation: Flexible Vinyl, Semi-Flexible Vinyl, Polyethylene, or PTFE For approved cables

Wire OD	1.6~2.0	1.2~1.6	1.0~1.2	0.80~1.0
Wire Size	20-22AWG	20-22AWG	20-22AWG	
Cover Color	Gray	Blue	Green	
Wire Size		24-26AWG	24-26AWG	24-26AWG
Cover Color		Orange	Yellow	Red



scale: 0.5:1



Ordering Information

5373 - 1 03 SX XXX X X XX X

SINGLE ROW Pin 03=3P LOCK N=W/O LOCK W=W/T LOCK Series No. 01-99 LOGO NA W=With WCON LOGO M=Customer'S LOGO

Terminal Plating
 S0=Gold Flash/Tin
 S1=3u"Gold/Tin
 S2=5u"Gold/Tin
 S3=10u"Gold/Tin
 S4=15u"Gold/Tin
 S5=30u"Gold/Tin

Cover Color
 U12=Blue
 G16=Gray
 E10=Green
 O12=Orange
 R08=Red
 Y10=Yellow

Packing
 T=Tube
 R=Tape&Reel
 A=Tray
 O=PE Bag

REV	DATE	MODIFICATION DESCRIPTION	CHANGE	OPERATION	DRAW	DATE	SCALE	FIT	PART NO.
A0	2020/12/01	NEW	Kair	X.X ±0.40	Kair	2020/12/01	UNIT mm	A4	5373-103SXXXXWX01X
				X.XX ±0.25	CHECK	DATE	SIZE	1/2	TITLE: 2.0mm Mini Clamp Socket 3p With latch
				X.XXX ±0.15	APPROVE	DATE	SHEET	1/2	Customer NO.
				Angle ± 3°			PROJ.		
				DIM TOL					

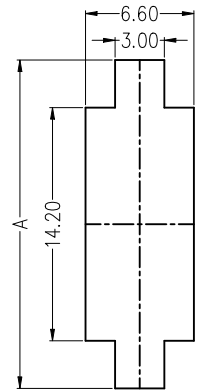
WCON

Http: www.wcon.com

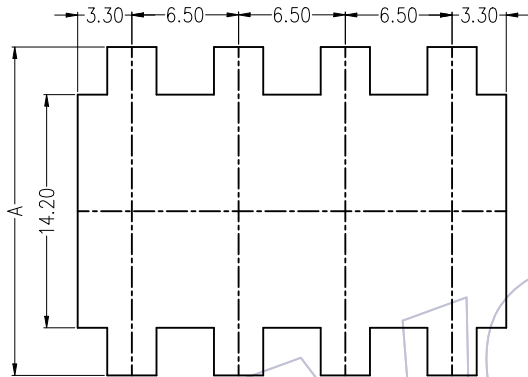
WCON-Dongguan WCON-Kunshan
 Tel: +86 769 85358920 Tel: +86 512 57468408
 Fax: +86 769 85358915 Fax: +86 512 57468468
 E-mail: sales@wcon.com E-mail: salesks@wcon.com

HSF

Single mounting

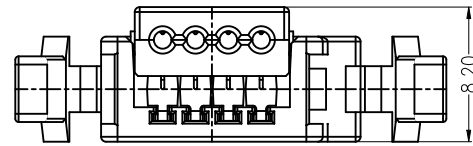
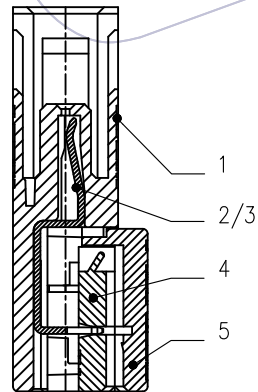


Multiple mounting

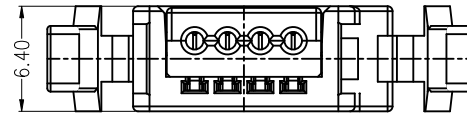
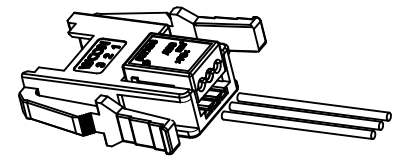


Panel Cutouts

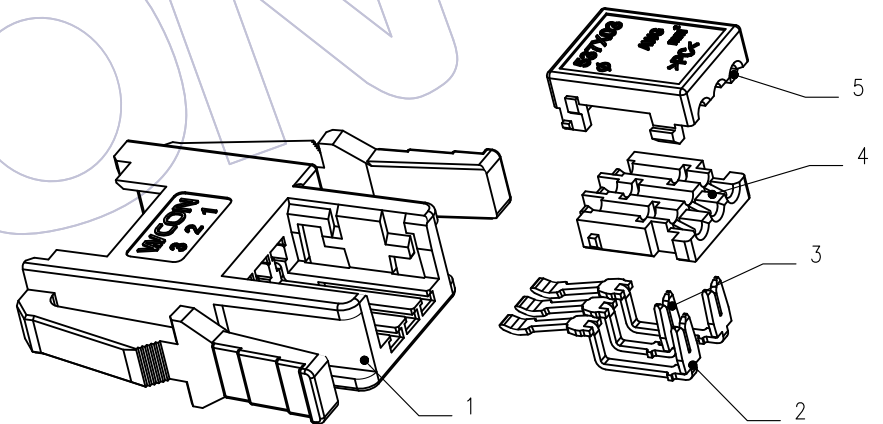
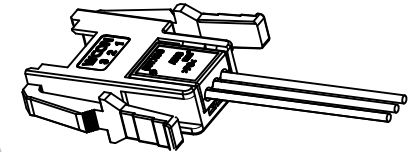
Panel Thickness	Dimension B
t=1.0 & 1.2mm	20.0
t=1.4 & 1.6mm	20.4



Before Termination



After Termination



No.	Part Name	Part No.	Material	Q'TY
5	TOP Cover	G5371-103TXN0X	PC	1
4	Bottom Cover	G5371-103BWN0X	PA66	1
3	Short Contact	T5373-PXSXX	C5191R-H	1
2	Long Contact	T5373-PXLXX	C5191R-H	2
1	Housing	G5373-103ABW01X	PBT	1

REV	DATE	MODIFICATION DESCRIPTION	CHANGE	OPERATION	DRAW	DATE	SCALE	FIT	PART NO.
A0	2020/12/01	NEW	Kair	X.X ±0.40	Kair	2020/12/01	UNIT	mm	5373-103SXXXWX01X
				X.XX ±0.25	CHECK	DATE	inch		
				X.XXX ±0.15			SIZE	A4	TITLE: 2.0mm Mini Clamp Socket 3p With latch
				Angle ± 3°	APPROVE	DATE	SHEET	2/2	
				DIM TOL			PROJ.	⌀	Customer NO.

WCON

Http: www.wcon.com

WCON-Dongguan
Tel: +86 769 85358920
Fax: +86 769 85358915
E-mail: sales@wcon.com

WCON-Kunshan
Tel: +86 512 57468408
Fax: +86 512 57468468
E-mail: salesks@wcon.com