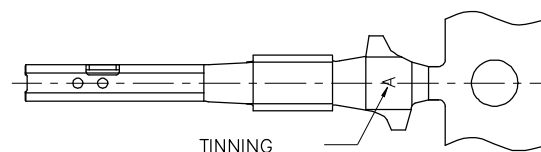
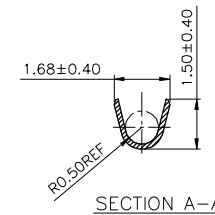
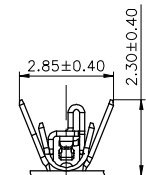
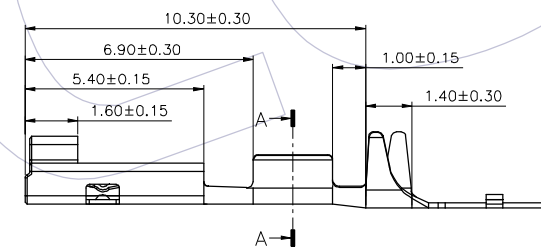
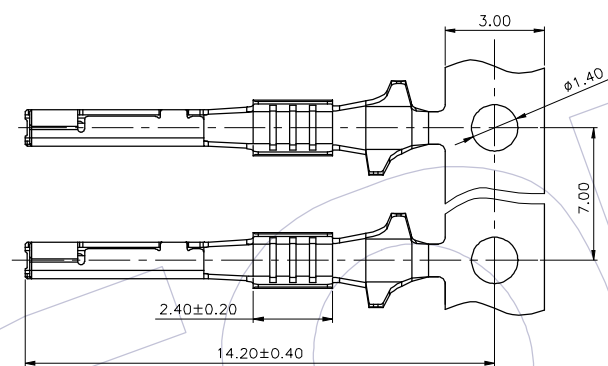
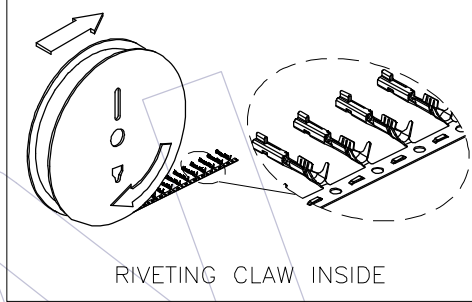


HSF

NOTES:

- 1.MATERIAL SPECIFICATION:
 - 1-1.CONTACT:COPPER ALLOY.
- 2.PLATING SPECIFICATION:
 - 2-1.
 - SN: 40-100U" TIN ON OVERALL;
40-80U" NICKEL UNDERPLATING OVERALL;
(APPLY TO 8-28 POS HOUSING);
 - SR: 40-80U" REFLOW TIN ON OVERALL;
40-80U" NICKEL UNDERPLATING OVERALL;
(APPLY TO 32-40 POS HOUSING)
- 3.ELECTRICAL PERFORMANCE:
 - 3-1.CURRENT RATING: 3A MAX.
 - 3-2.CONTACT RESISTANCE: 25mΩ MAX;
- 4.ENVIRONMENTAL PERFORMANCE:
 - OPERATING TEMPERATURE: -40°C to +100°C.
- 5.WIRE SIZE RANGE:22AWG.
- 6.INSULATION RANGE:1.1-1.5MM.
- 7.RoHS COMPLIANT.

SCHEMATIC DIAGRAM OF TERMINAL DISCHARGE



TINNING SPECIFICATION
DISTINCTION CODE

ORDERING INFORMATION:

72025-T C 22 XX 01 (X)

TERMINAL

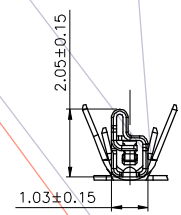
MATERIAL:
C=C7025

WIRE SIZE RANGE:22AWG

CONTACT PLATING:
SN=TIN
SR=REFLOW TIN

WCON INTERNAL CODE

ESPECIALLY PACK

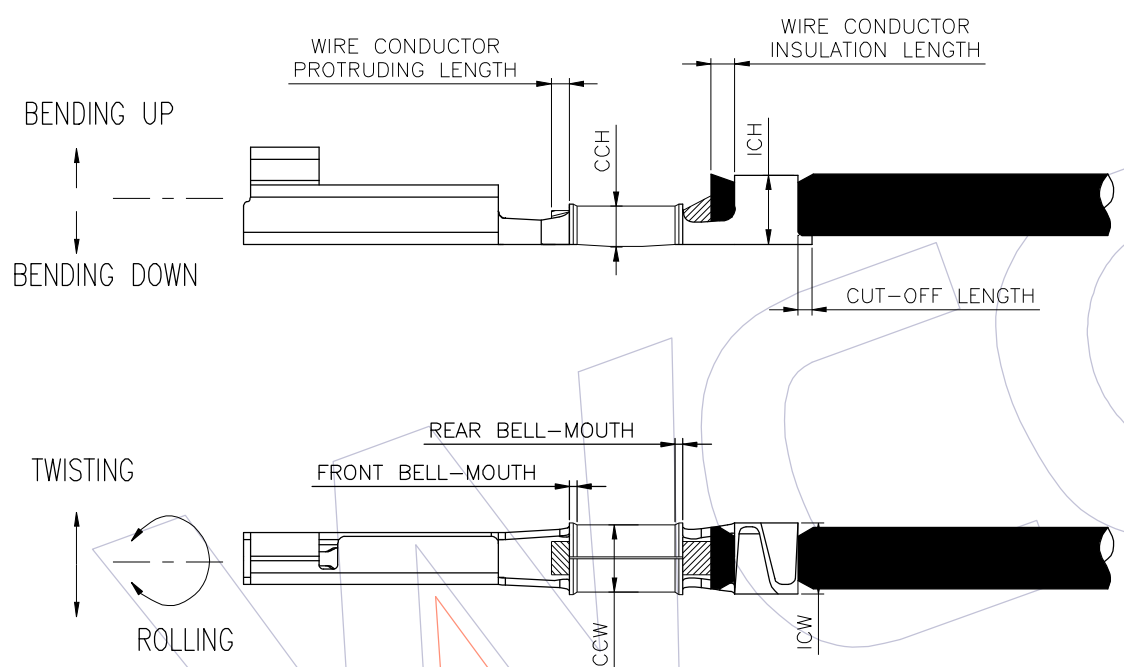


REV	DATE	MODIFICATION DESCRIPTION	CHANGE	OPERATION		DRAW	DATE	SCALE	1:1	PART NO.
				x.x	±0.40					
				x.xx	±0.25	CHECK	DATE			TITLE: 2.0X2.5mm DYNAMIC FEMALE CRIMP TERMINAL(22AWG)
				x.xxx	±0.15	APPROVE	DATE			Customer NO.
				Angle	± 3'			SHEET	1/2	
				DIM	TOL			PROJ.	⌀	

WCON
Http: www.wcon.com

WCON-Dongguan Tel: +86 769 85358920 Fax: +86 769 85358915 E-mail: sales@wcon.com	WCON-Kunshan Tel: +86 512 57468408 Fax: +86 512 57468468 E-mail: sales@wcon.com
---	--

HSF



ITEM	REFERENCE
BENDING UP	4°MAX
BENDING DOWN	3°MAX
TWISTING	3°MAX
ROLLING	4°MAX
BELL-MOUTH	0.05~0.35mm(REF)
CUT-OFF LENGTH	0.2mm MAX
WIRE CONDUCTOR PROTRUDING LENGTH	0.3~0.8mm
WIRE CONDUCTOR INSULATION LENGTH	0.4~0.7mm

AWG	STRIP LENGTH	CCH (+/-0.05mm)	CCW (+/-0.05mm)	ICH(mm)	ICW(mm)
22	3.60±0.20	0.76	1.15	1.46MAX	1.50MAX

REV	DATE	MODIFICATION DESCRIPTION	CHANGE	OPERATION		DRAW	DATE	SCALE	1:1	PART NO.
				x.x	±0.40					
AO	7/05'23	NEW	JINQUAN .ZENG	x.xx	±0.25	CHECK	DATE	UNIT	mm	72025-TC22XX01(X)
				x.xxx	±0.15	APPROVE	DATE	SIZE	A4	
				Angle	± 3'			SHEET	2/2	TITLE: 2.0X2.5mm DYNAMIC Female Crimp Terminal (22AWG)
				DIM	TOL			PROJ.	⌀ ↺	Customer NO.

WCON
Http: www.wcon.com

WCON-Dongguan Tel: +86 769 85358920 Fax: +86 769 85358915 E-mail: sales@wcon.com	WCON-Kunshan Tel: +86 512 57468408 Fax: +86 512 57468468 E-mail: salesks@wcon.com
---	--