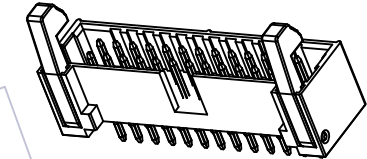
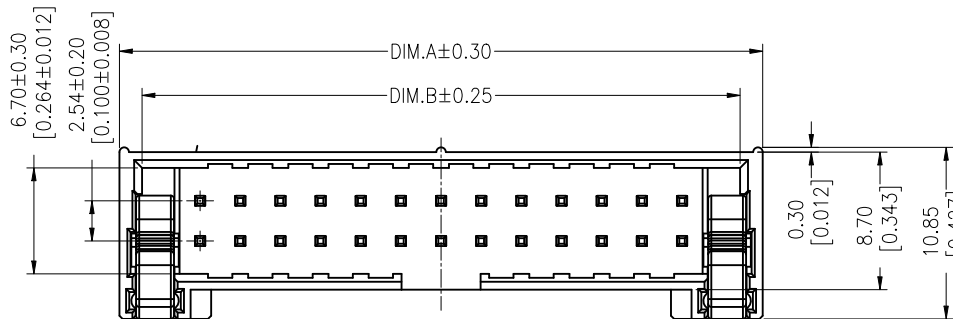
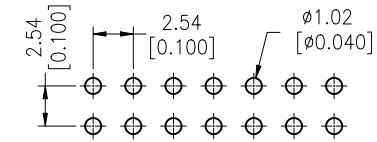


HSF

NOTES:
 Rated Current:3.0AMP
 Contact Resistance:20mΩ max
 Withstand Voltage:500V AC/DC
 Insulation Resistance:1000MΩ min
 Operation Temperature:-40°C to +105°C

Housing Material:PA9T+30%GF(UL94V-0)
 Latch Material:PA9T+30%GF(UL94V-0)
 Contact Material:Brass
 Contact plating:Au or Sn over Ni Plated
 Fixed Axle Material:Brass
 Fixed Axle plating:Ni Plated

Recommended P.C.B Layout (Top Side)
 (PCB BOARD TOLERANCE ±0.05)

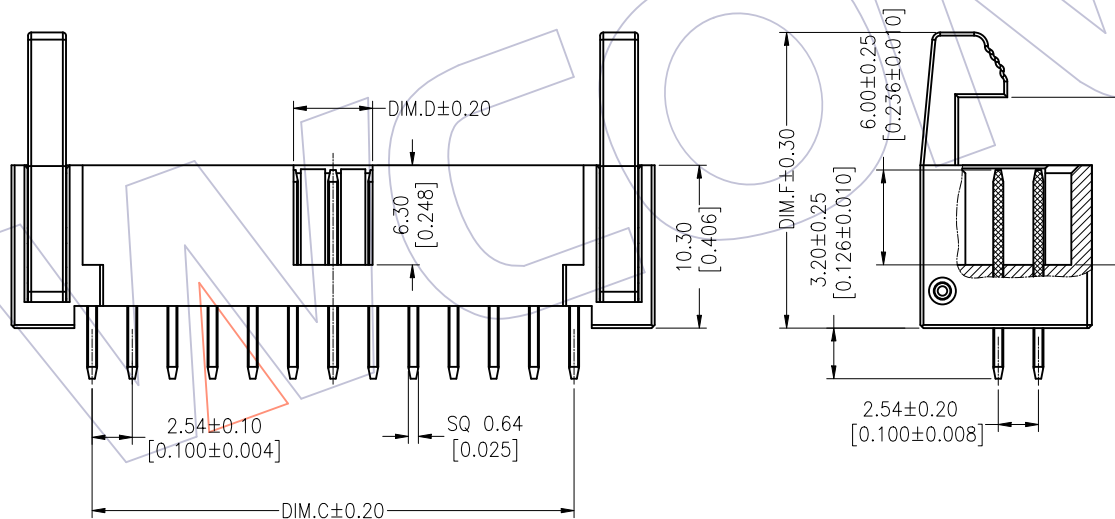


3D VIEW(REF.)
 SCALE 1:2

Ordering Information

3212 - XX S XX B X X 1

No. of Pins	Contact Plating	Insulator Color	Latch Type	Packing
10 34	G0=Gold Flash	B=Black	L=Long Latch	T=Tube
14 40	S0=Gold Flash/Tin		S=Short Latch	A=Tray
16 50	S1=3u"Gold/Tin			
20 60	S2=5u"Gold/Tin			
26 64	S3=10u"Gold/Tin			
30	S4=15u"Gold/Tin			
	S5=30u"Gold/Tin			



PART NO.	DIM.E	DIM.F
3212-XXSXXBLX1	14.60	22.10
3212-XXSXXBSX1	10.60	18.70

No. Of POSITION	DIM.A	DIM.B	DIM.C	DIM.D
6	15.28	12.42	5.08	2.30
8	17.82	14.96	7.62	2.30
10	20.36	17.50	10.16	5.00
12	22.90	20.04	12.70	5.00
14	25.44	22.58	15.24	5.00
16	27.98	25.12	17.78	5.00
20	33.06	30.20	22.86	5.00
24	38.14	35.28	27.94	5.00
26	40.68	37.82	30.48	5.00
30	45.76	42.90	35.56	5.00
34	50.84	47.98	40.64	5.00
40	58.46	55.60	48.26	5.00
50	71.16	68.30	60.96	5.00
60	83.86	81.00	73.66	5.00
64	88.94	86.08	78.74	5.00

REV	DATE	MODIFICATION DESCRIPTION	CHANGE	OPERATION		DRAW Tsingsn	DATE 2013/10/24	SCALE	FIT	PART NO. 3212-XXSXXBXX1
				X.X	±0.40					
				X.XX	±0.25	CHECK	DATE	UNIT mm inch		TITLE: 2.54mm EJECTOR HEADER 180° DIP TYPE
A0	2013/10/24	NEW		X.XXX	±0.15	APPROVE	DATE	SHEET 1/1		Customer NO.
				Angle	± 3'			PROJ.		

WCON
 Http: www.wcon.com

WCON-Dongguan Tel: +86 769 85358920 Fax: +86 769 85358915 E-mail: sales@wcon.com	WCON-Kunshan Tel: +86 512 57468408 Fax: +86 512 57468468 E-mail: salesks@wcon.com
---	--