

HSF

NOTES:

Current Rating:10A
 Voltage Rating:300V
 Contact Resistance:8milliohm Max
 Withstand Voltage:AC2000V
 Insulation Resistance:1000Megohm Min
 Operation Temperature:-40°C to +105°C

Housing Material:PA66+30%GF(UL94V-0)
 Contact Material:Brass

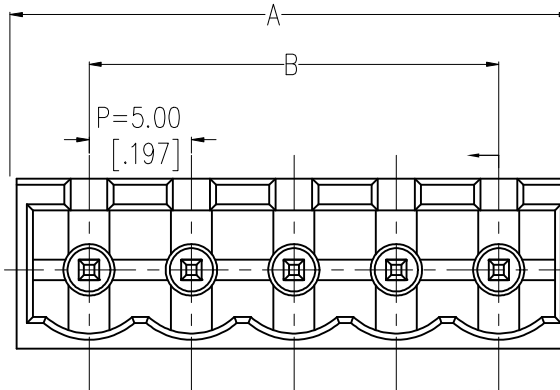
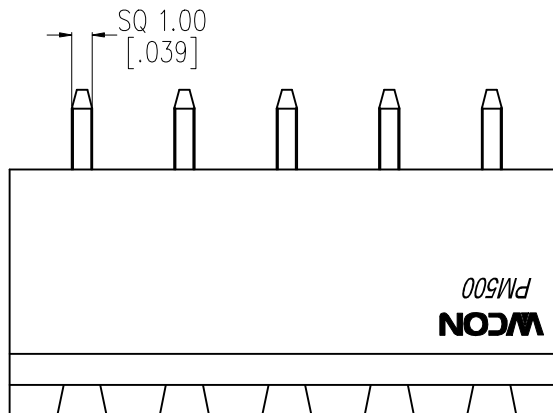
Ordering Information:

P M 500 - 1 S XX A SM 1

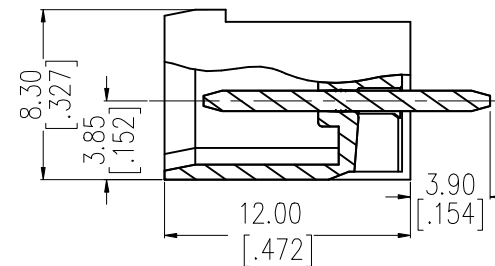
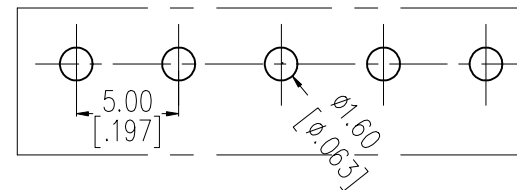
M=Male Pitch 500=5.00
 No.of Pins 02-24P Color A=Green SM=Matte Tin Series No.

13P	67.08 ±0.40	60.00 ±0.35			
12P	62.08 ±0.40	55.00 ±0.35	24P	122.08 ±0.40	115.00 ±0.40
11P	57.08 ±0.40	50.00 ±0.35	23P	117.08 ±0.40	110.00 ±0.40
10P	52.08 ±0.35	45.00 ±0.30	22P	112.08 ±0.40	105.00 ±0.40
9P	47.08 ±0.35	40.00 ±0.30	21P	107.08 ±0.40	100.00 ±0.40
8P	42.08 ±0.35	35.00 ±0.30	20P	102.08 ±0.40	95.00 ±0.35
7P	37.08 ±0.35	30.00 ±0.30	19P	97.08 ±0.40	90.00 ±0.35
6P	32.08 ±0.35	25.00 ±0.30	18P	92.08 ±0.40	85.00 ±0.35
5P	27.08 ±0.35	20.00 ±0.30	17P	87.08 ±0.40	80.00 ±0.35
4P	22.08 ±0.35	15.00 ±0.30	16P	82.08 ±0.40	75.00 ±0.35
3P	17.08 ±0.35	10.00 ±0.30	15P	77.08 ±0.40	70.00 ±0.35
2P	12.08 ±0.35	5.00 ±0.30	14P	72.08 ±0.40	65.00 ±0.35
PIN	A	B	PIN	A	B

ITEM	Pitch	Mating
Standard	5.00	PF500
Alternate		



Recommended P.C.B Layout(Top Side)
 (PCB BOARD TOLERANCE±0.05)



AO	2019/07/20	NEW	CHANGE	OPERATION		DRAW	DATE	SCALE	FIT	PART NO.	TITLE:	Customer NO.
				X.X	±0.40							
REV	DATE	MODIFICATION DESCRIPTION	CHANGE	X.XX	±0.25	CHECK	DATE	SIZE	A4	PM500-1SXXASM1	5.00mm Pitch Male Pluggable Terminal Blocks	WCON-Dongguan Tel: +86 769 85358920 Fax: +86 769 85358915 E-mail: sales@wcon.com
				X.XXX	±0.15	APPROVE	DATE	SHEET	1/1			
				Angle	± 3°			PROJ.	⌀			
				DIM	TOL							

WCON

Http: www.wcon.com