

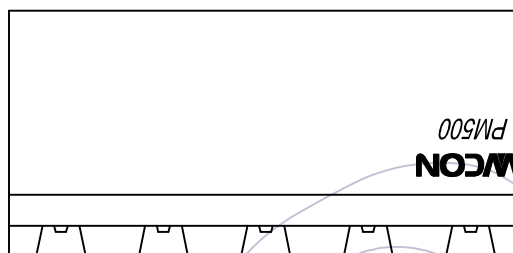
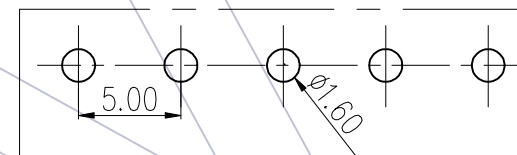
HSF

NOTES:

Current Rating: 10A
 Voltage Rating: 300V
 Contact Resistance: 20milliohm Max
 Withstand Voltage: AC2000V
 Insulation Resistance: 1000Megohm Min
 Operation Temperature: -40°C to +105°C

Housing Material: PA66+30%GF(UL94V-0)
 Contact Material: Brass

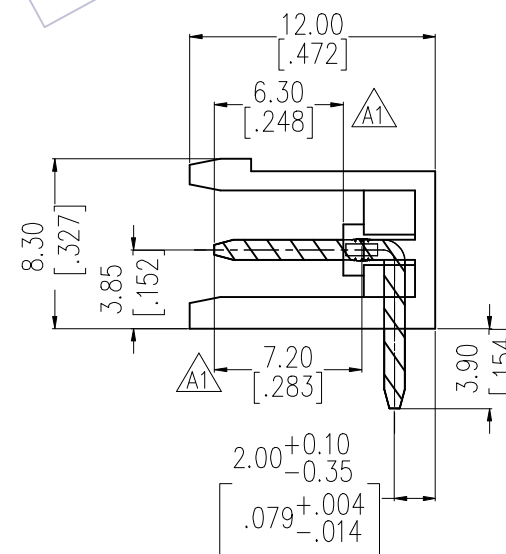
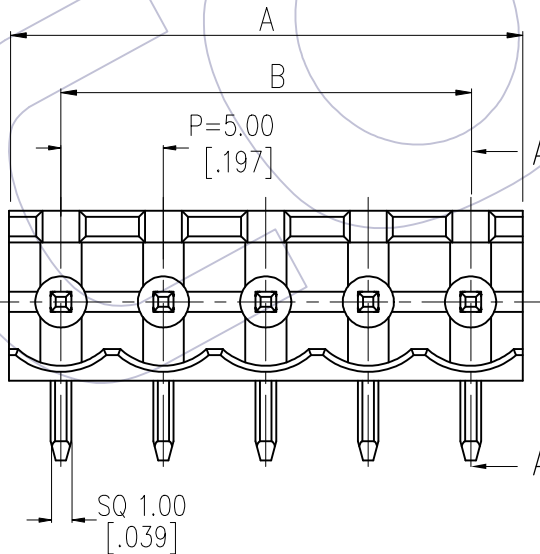
Recommended P.C.B Layout(Top Side)
 (PCB BOARD TOLERANCE±0.05)




Ordering Information:

P M 500 - 1 R XX A SM 3
 M=Male Pitch 500=5.00 No.of Pins 02-24P Color A=Green Contact Plated SM=Matte Tin Series No. 3

13P	65.08 ±0.40	60.00 ±0.35			
12P	60.08 ±0.40	55.00 ±0.35	24P	120.08 ±0.40	115.00 ±0.40
11P	55.08 ±0.40	50.00 ±0.35	23P	115.08 ±0.40	110.00 ±0.40
10P	50.08 ±0.35	45.00 ±0.30	22P	110.08 ±0.40	105.00 ±0.40
9P	45.08 ±0.35	40.00 ±0.30	21P	105.08 ±0.40	100.00 ±0.40
8P	40.08 ±0.35	35.00 ±0.30	20P	100.08 ±0.40	95.00 ±0.35
7P	35.08 ±0.35	30.00 ±0.30	19P	95.08 ±0.40	90.00 ±0.35
6P	30.08 ±0.35	25.00 ±0.30	18P	90.08 ±0.40	85.00 ±0.35
5P	25.08 ±0.35	20.00 ±0.30	17P	85.08 ±0.40	80.00 ±0.35
4P	20.08 ±0.35	15.00 ±0.30	16P	80.08 ±0.40	75.00 ±0.35
3P	15.08 ±0.35	10.00 ±0.30	15P	75.08 ±0.40	70.00 ±0.35
2P	10.08 ±0.35	5.00 ±0.30	14P	70.08 ±0.40	65.00 ±0.35
PIN	A	B	PIN	A	B



ITEM	Pitch	Mating
Standard	5.00	PF500
Alternate		

REV	DATE	MODIFICATION DESCRIPTION	CHANGE	OPERATION		DRAW XSR	DATE	SCALE	FIT	PART NO. PM500-1RXXASM3	 Http: www.wcon.com WCON-Dongguan Tel: +86 769 85358920 Fax: +86 769 85358915 E-mail: sales@wcon.com WCON-Kunshan Tel: +86 512 57468408 Fax: +86 512 57468468 E-mail: salesk@wcon.com	
				x.x	±0.40							
A1	2020/10/31	ADD DIM.	XSR	x.xx	±0.25	CHECK	DATE	SIZE	A4	TITLE:	5.00mm Pitch Male Pluggable Terminal Blocks	
AO	2019/07/22	NEW		x.xxx	±0.15			SHEET	1/1	Customer NO.		
				Angle	± 3'	APPROVE	DATE	PROJ.				
				DIM	TOL							